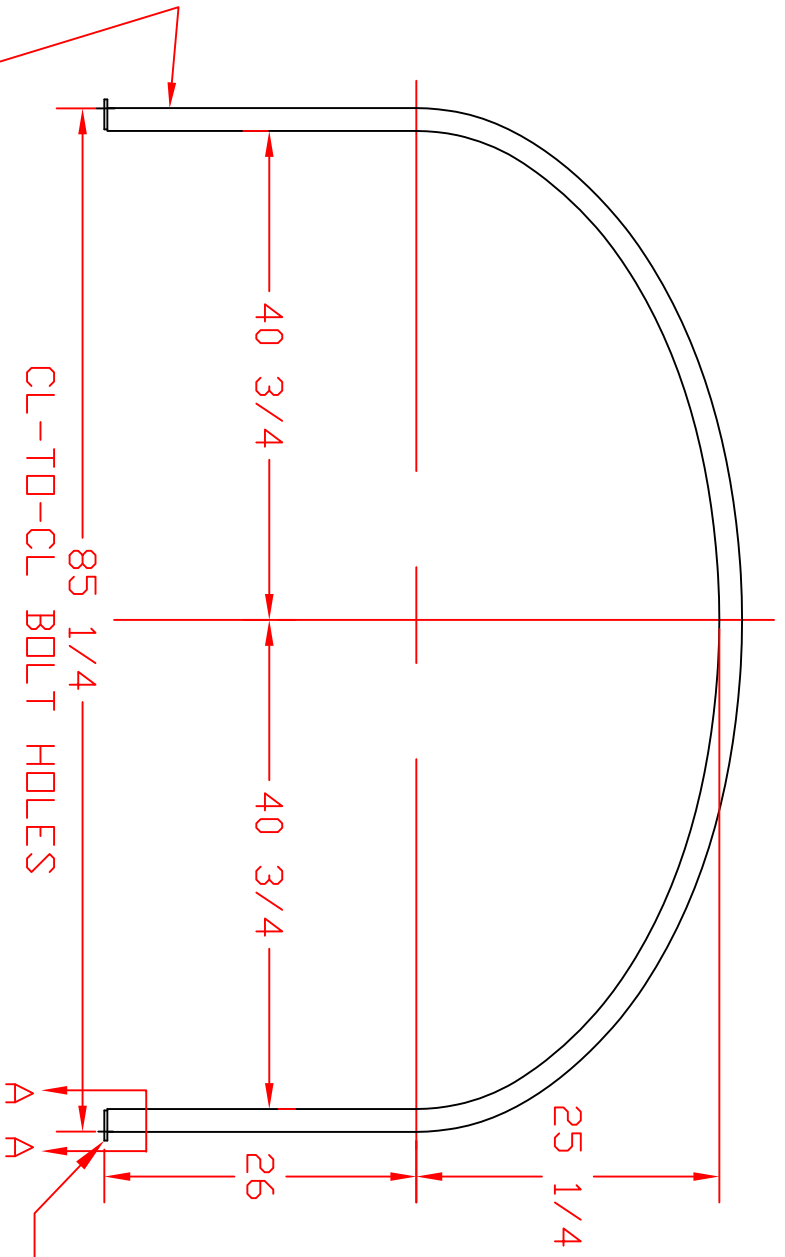


REVISIONS				
ZONE	REV	DESCRIPTION	DATE	APPROVED

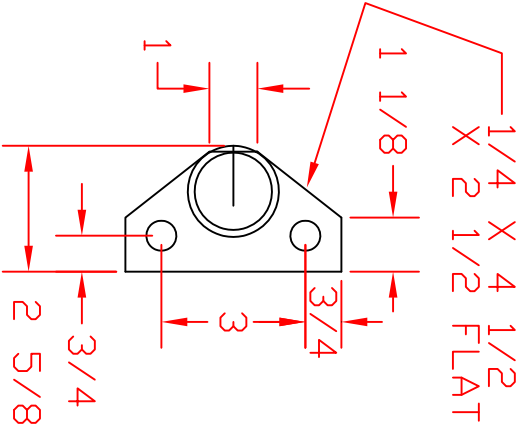


1 1/2" BLACK PIPE

CL-TO-CL BOLT HOLES

A A

NOTE: PAINT FOOT GOLD



VIEW A-A  
1/4 SCALE

FDB: LANCASTER, OH  
GRIFFIN, GA  
TODELE, UT  
HANFORD, CA

JTP 17DEC10			
ST. BONIFACIUS, MN BAND, 2035 ELLIPTICAL LEG TANK (EAST/WEST)		SIZE A FSCM NO. 63840 DWG NO. 63840	
SCALE 1/16		SHEET	
REV		REV	