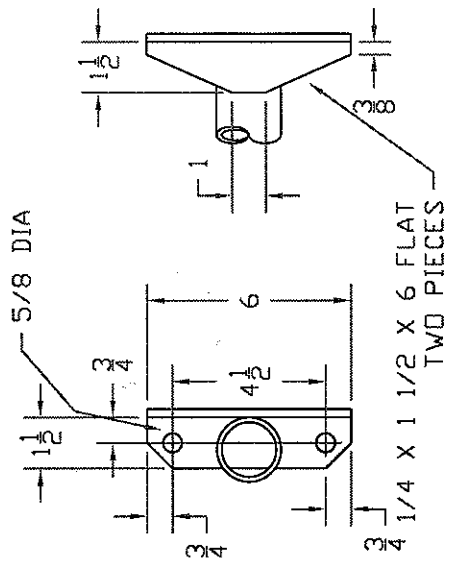
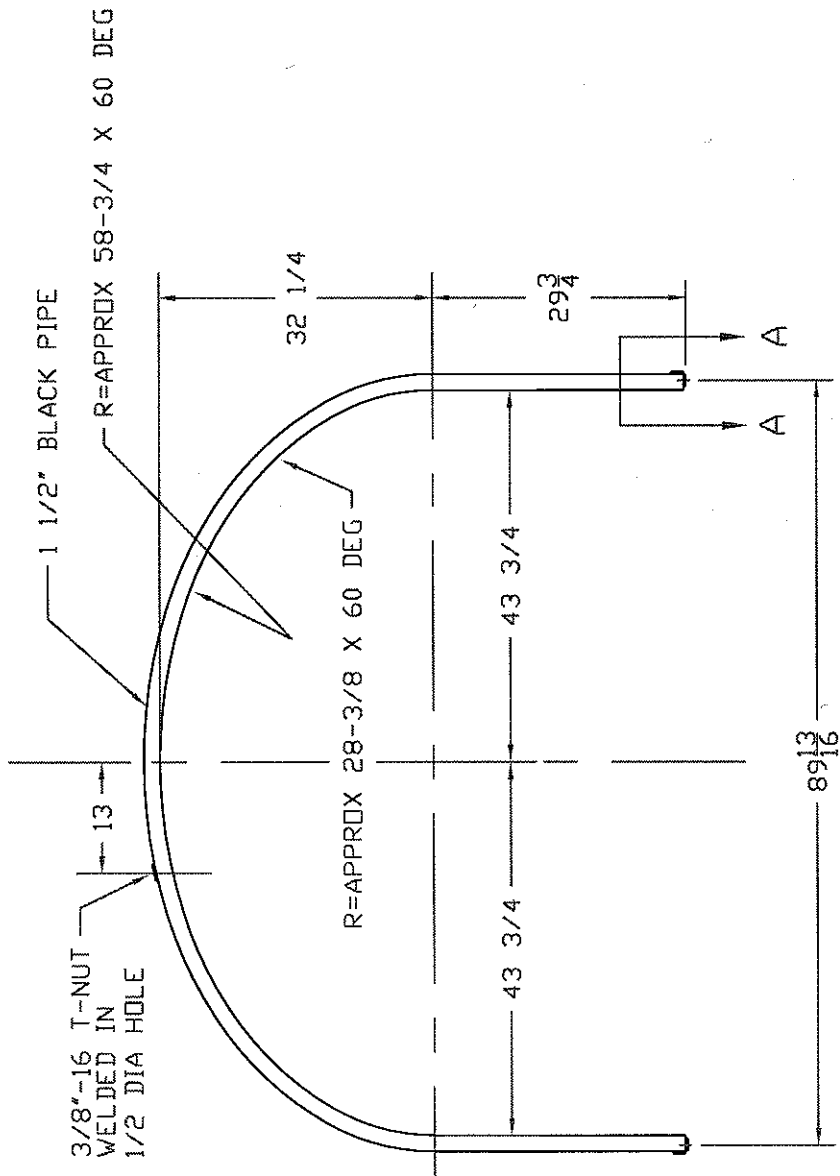


REVISIONS			
ZONE	REV	DESCRIPTION	DATE



VIEW A-A
1/4 SCALE

		ST. BONIFACIUS, MN BAND, 2610 ELLIPTICAL TANK, LONG	
JTP	19MAR02	SIZE B	FSCM NO.
		DWG NO.	REV
		SCALE 1/16	SHEET