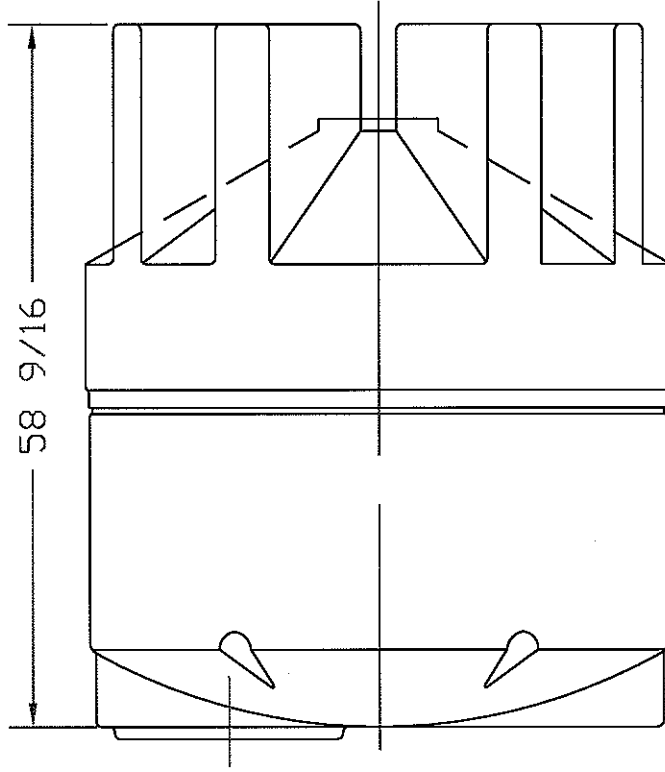


REVISIONS

ZONE	REV	DESCRIPTION	DATE	APPROVED



**NORWESCO**  
ST. BONIFACIUS, MN

300 GALLON CONE BOTTOM  
TANK AND STAND

JTP	10APR97	SIZE	FSCM NO.	DWG NO.	REV
		A			
SCALE 1/16				SHEET	