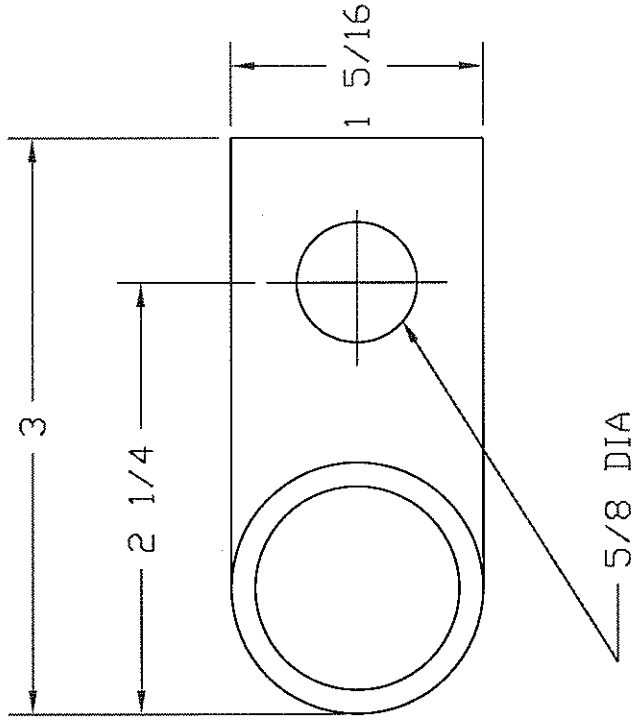
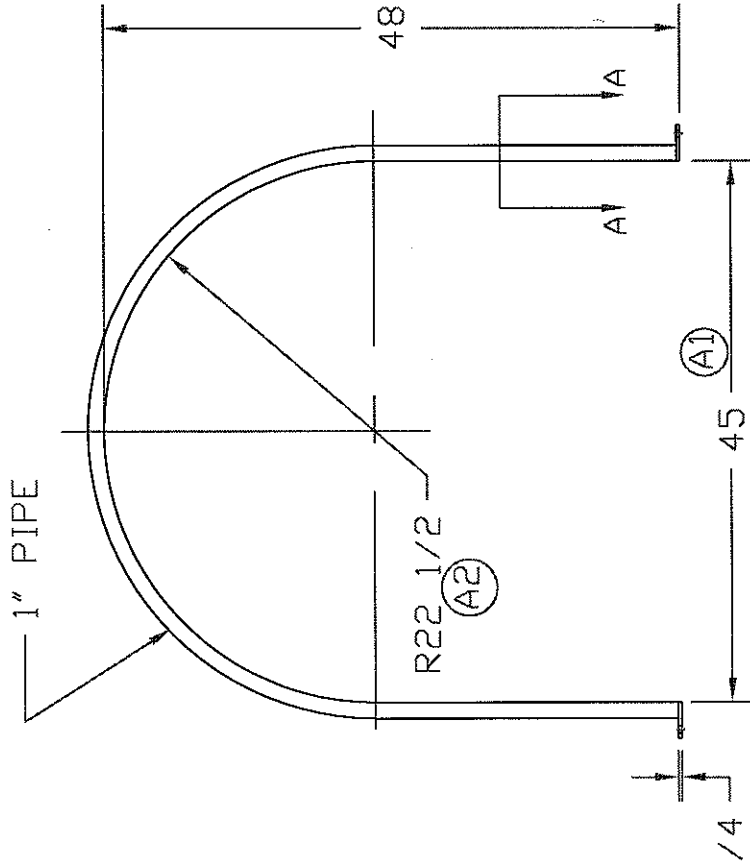


REVISIONS

ZONE	REV	DESCRIPTION	DATE	APPROVED
	A	1,2--DIMS UPDATED	03AUG99	



FINISH: HOT-DIPPED GALVANIZED

**NORWESCO**  
ST. BONIFACIUS, MN

BAND, 1010 LONG

JTP 8AUG96

SIZE A  
FSCM NO.

DWG NO.

REV A

SCALE 1/16

SHEET