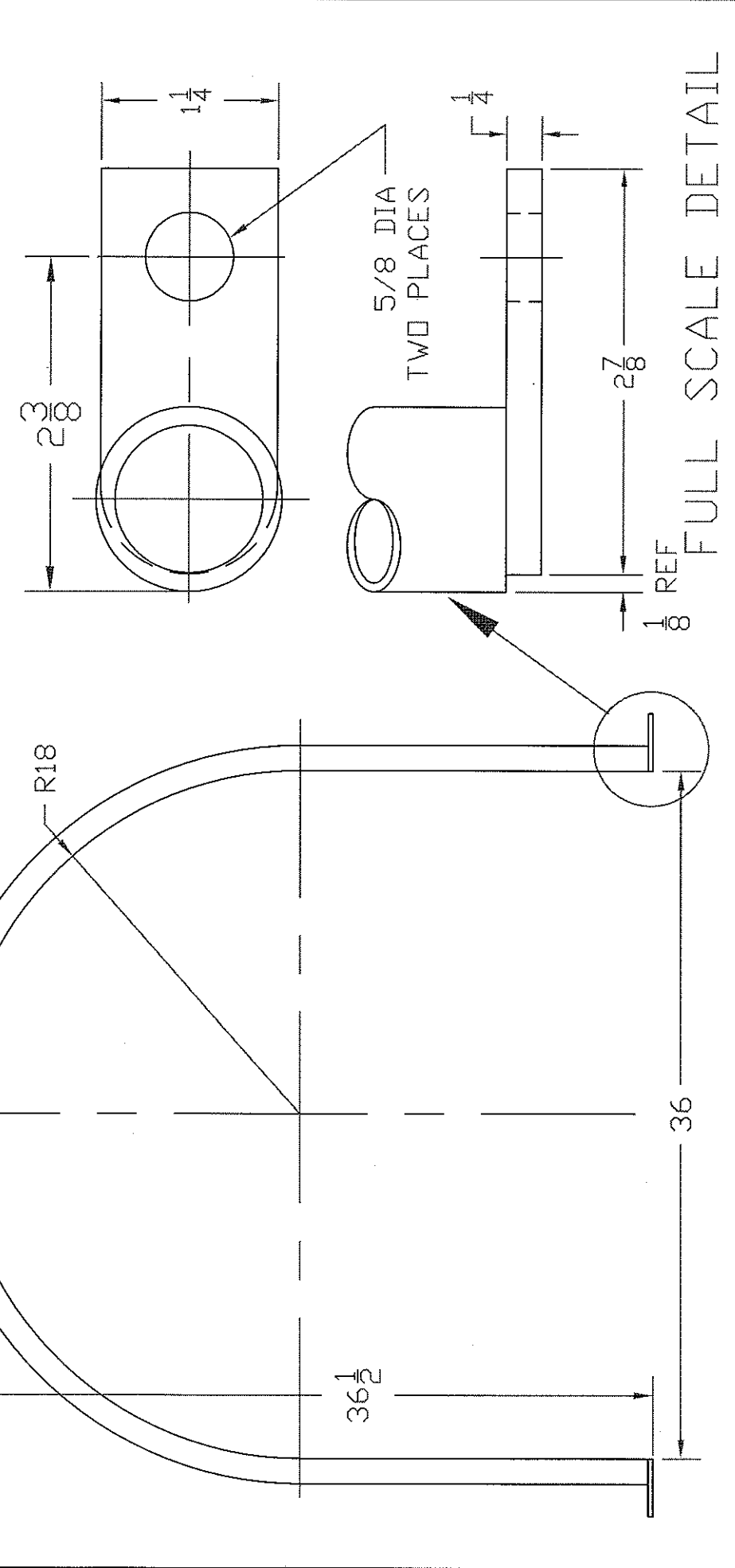


REVISIONS		DATE	APPROVED
ZONE	REV	DESCRIPTION	
	A	REDRAWN	10SEP97
	B	REVISED & REDRAWN	14JAN04



NORWESCO		ST. BONIFACIUS, MN	SIZE	FSCM NO.	DWG NO.	REV
BAND, 225 & 325 GALLON HORIZONTAL TANKS			A			B
JTP	14JAN04		SCALE 1/8		SHEET	

NOTE: WELD WITH LOW HYDROGEN ROD

FINISH: HOT DIPPED GALVANIZED

THIS DRAWING MODIFIED WITH NARROWER FOOT.