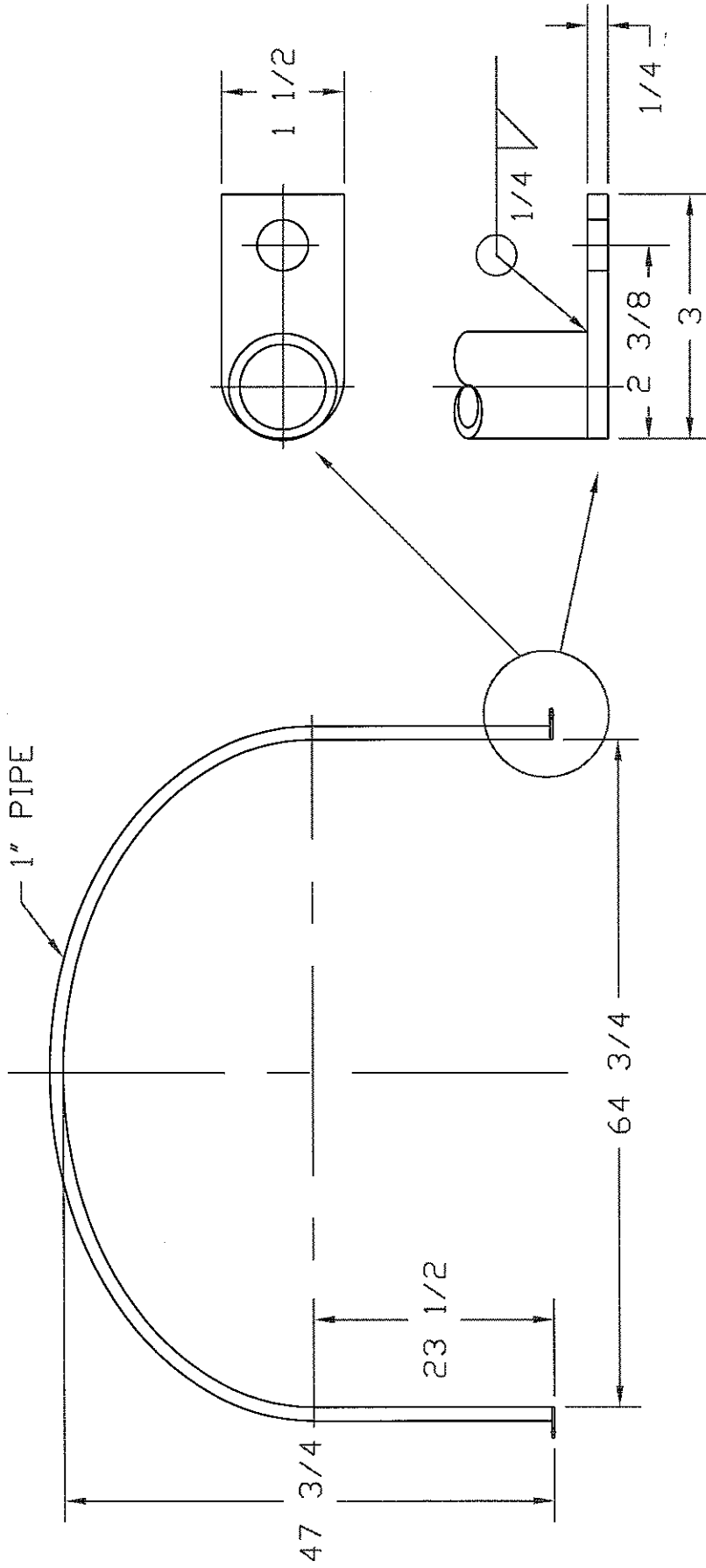


REVISIONS

ZONE	REV	DESCRIPTION	DATE	APPROVED
	B	REDRAWN	25 JUN 97	



HDT-DIPPED
GALVANIZED
FINISH

NORWESCO
ST. BONIFACIUS, MN

BAND, 1235 ELLIPTICAL
LEG TANK

JTP 27 JUN 97

SIZE A FSCM NO. DWG NO.

REV B

SCALE 1/16

SHEET