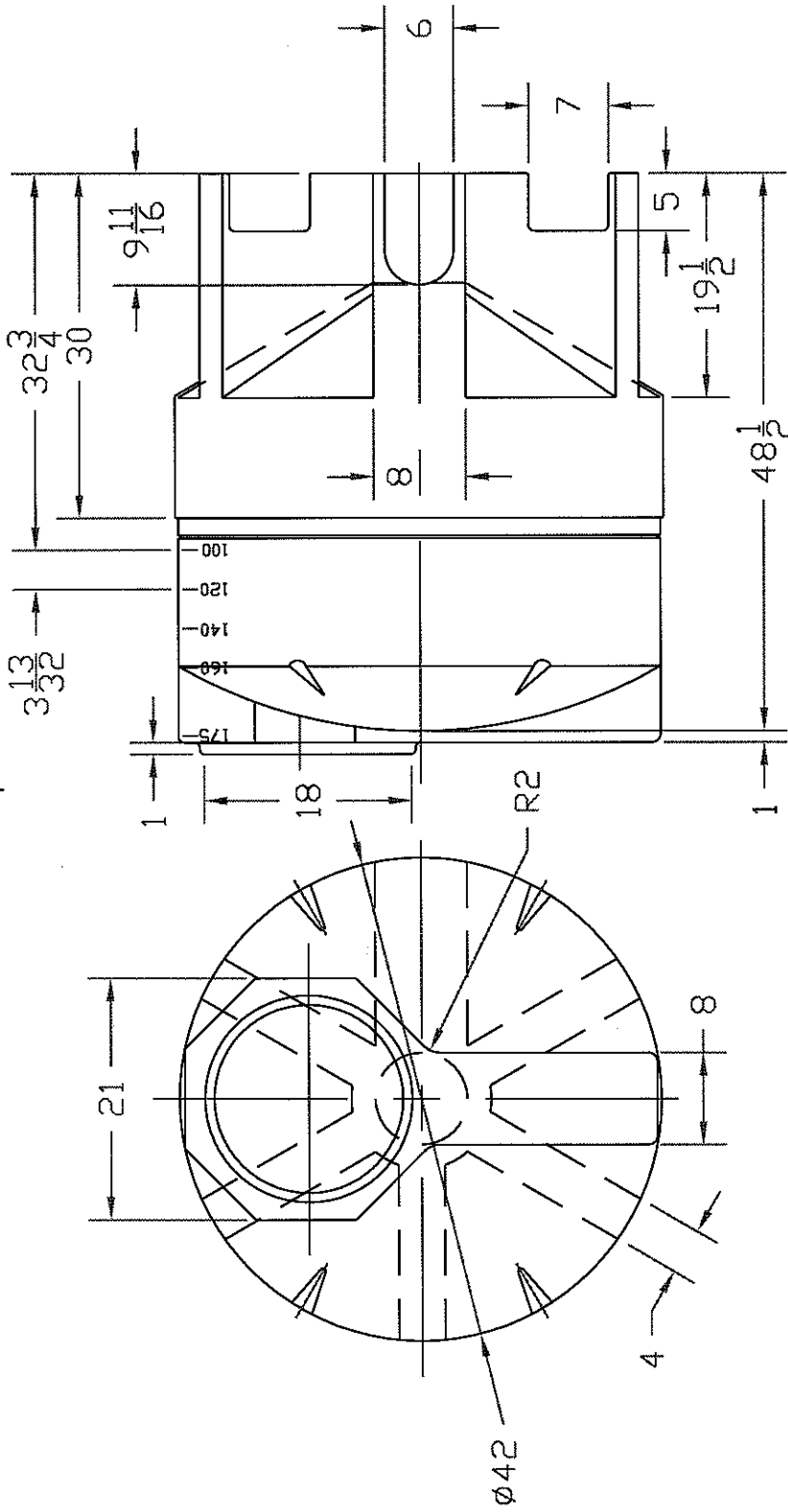


REVISIONS

ZONE	REV	DESCRIPTION	DATE	APPROVED
	B	REDRAWN W/ 16" LID	23JAN02	



NORWESCO
ST. BONIFACIUS, MN

175 GALLON CONE BOTTOM
TANK WITH STAND

JTP	23JAN02	SIZE	FSCM NO.	DWG NO.	REV
		A			B
SCALE 1/16				SHEET	