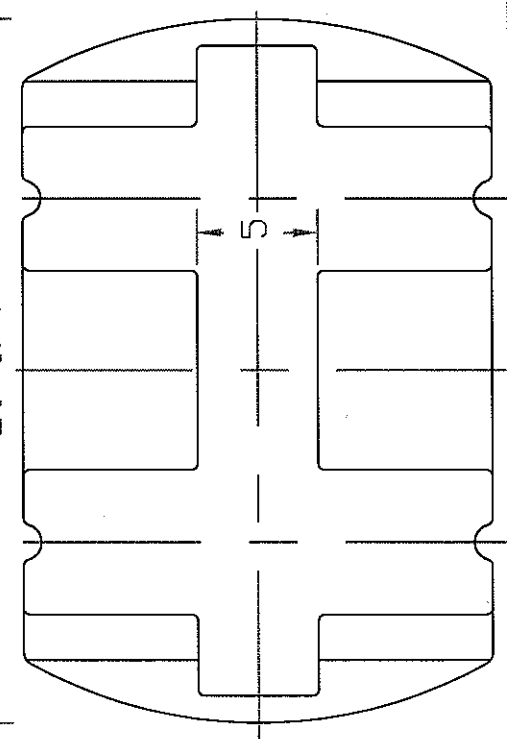
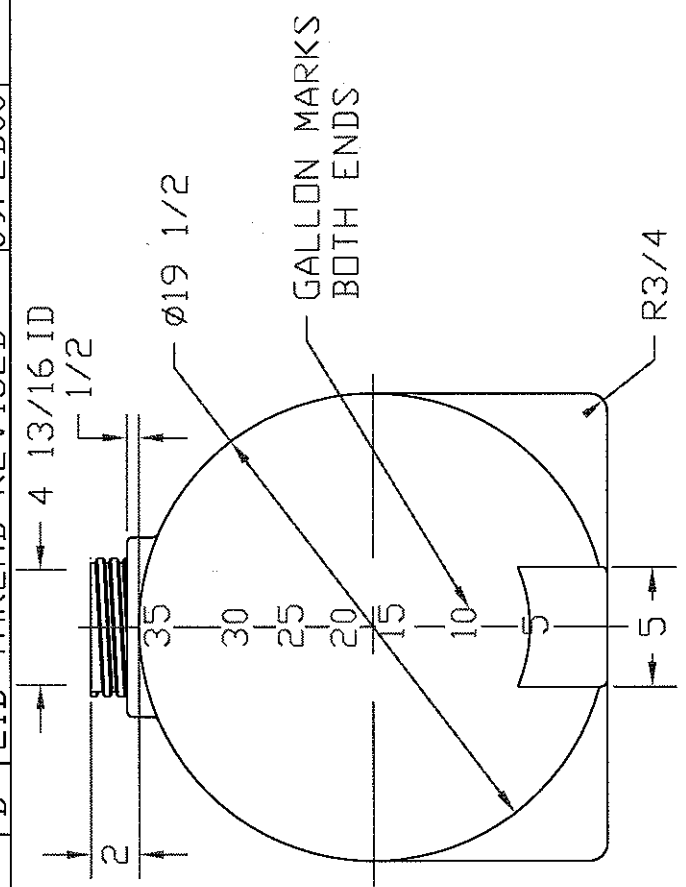
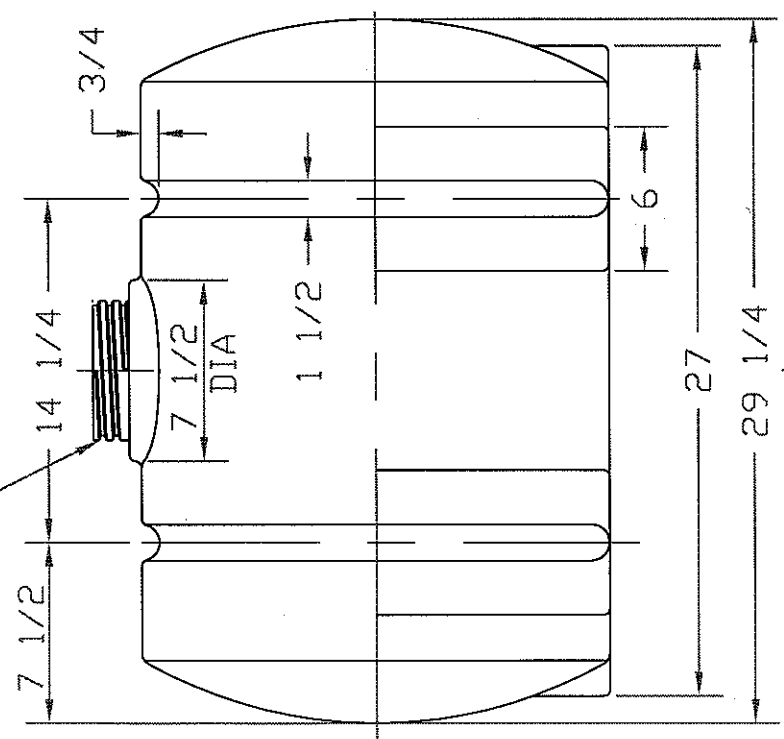


REVISIONS				
ZONE	REV	DESCRIPTION	DATE	APPROVED
	A	REDRAWN	06 JAN 97	
	B	LID THREAD REVISED	09 FEB 00	

ACME THREAD
 5-3/4 MAJOR DIA
 5-3/8 MINOR DIA
 9/16 PITCH



NORWESCO
 ST. BONIFACIUS, MN

35 GALLON HORIZONTAL
 TANK

JTP	06JAN97	SIZE	FSCM NO.	DWG NO.	REV
		A			B
				SCALE	SHEET
				1/8	