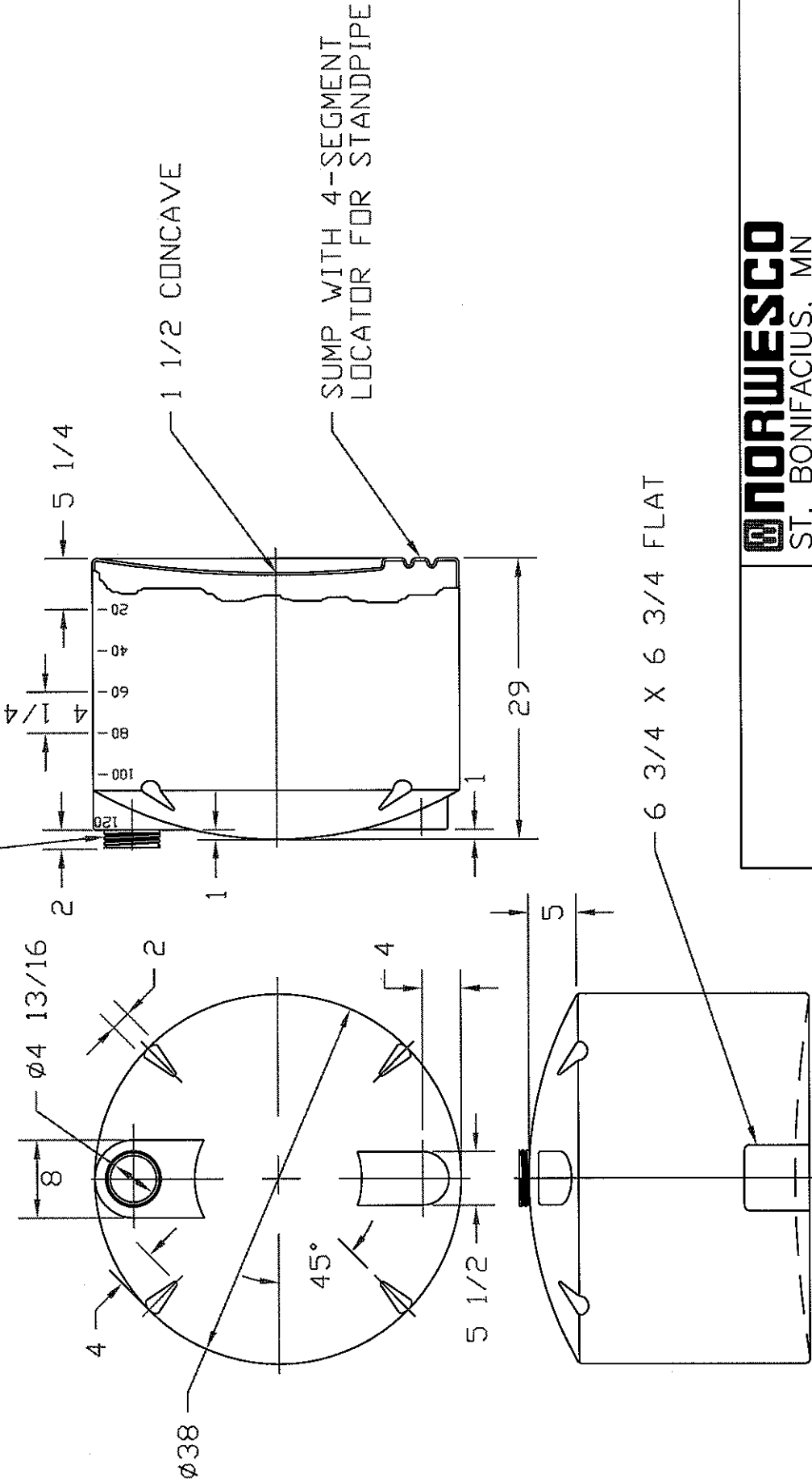


REVISIONS

ZONE	REV	DESCRIPTION	DATE	APPROVED
	B	REDRAWN	13JAN97	
	C	LID THREAD REVISED	09FEB00	

ACME THREAD
 5-3/4 MAJOR DIA
 5-3/8 MINOR DIA
 9/16 PITCH



NORWESCO
 ST. BONIFACIUS, MN

120 GALLON MINI BULK
 TANK

JTP 13JAN97

SIZE FSCM NO.
 A

DWG NO.

REV
 C

SCALE 1/16

SHEET