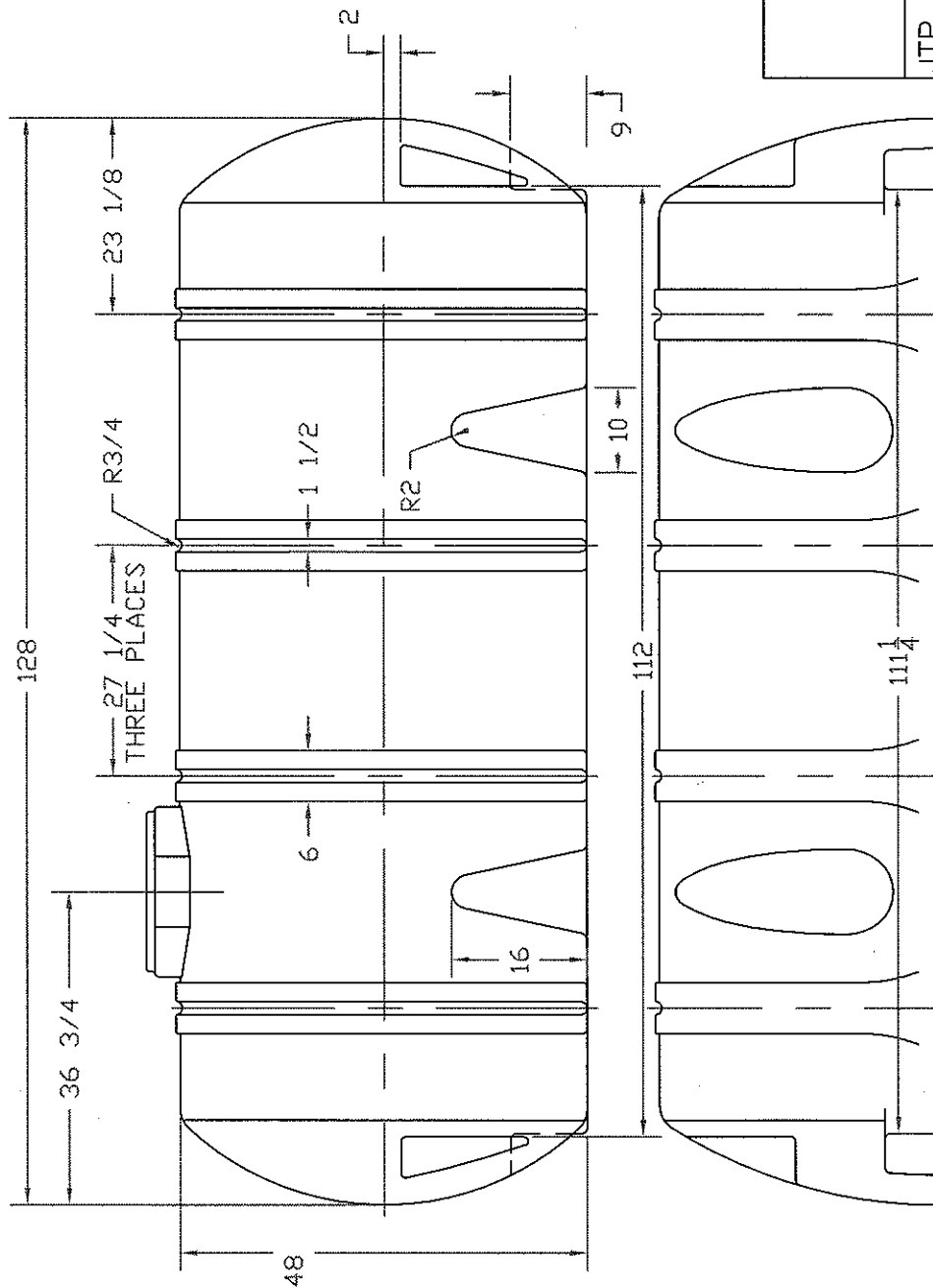
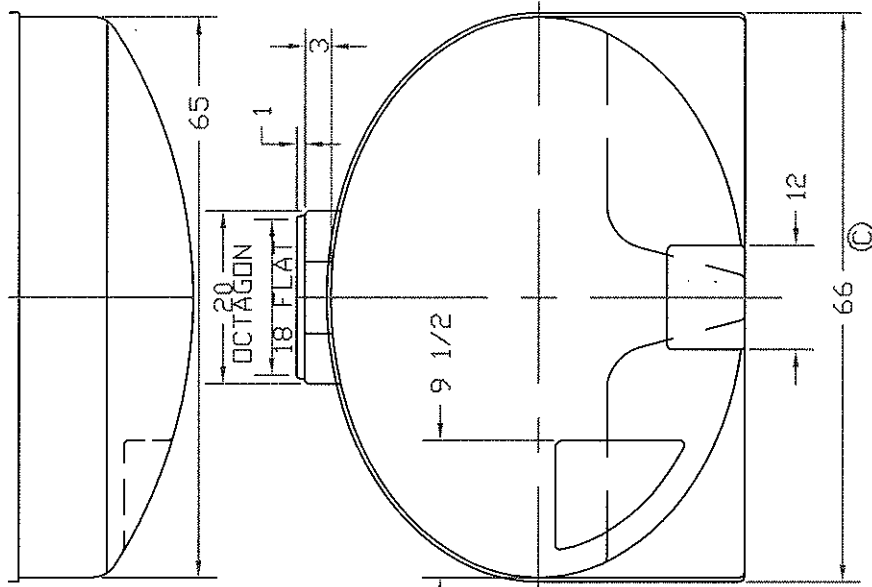


REVISIONS			
ZONE	REV	DESCRIPTION	DATE
	A	REDRAWN	27 JUN 97
	B	SPARGER FLATS REVISED	23 OCT 98

REVISIONS			
ZONE	REV	DESCRIPTION	DATE
	C	ADDED DIM	09 FEB 04



NORWESCO
 ST. BONIFACIUS, MN
 1235 GALLON ELLIPTICAL
 LEG TANK

JTP	27 JUN 97	SIZE	FSCM NO.	DWG NO.	REV
		B			C
				SCALE	SHEET
				1/16	