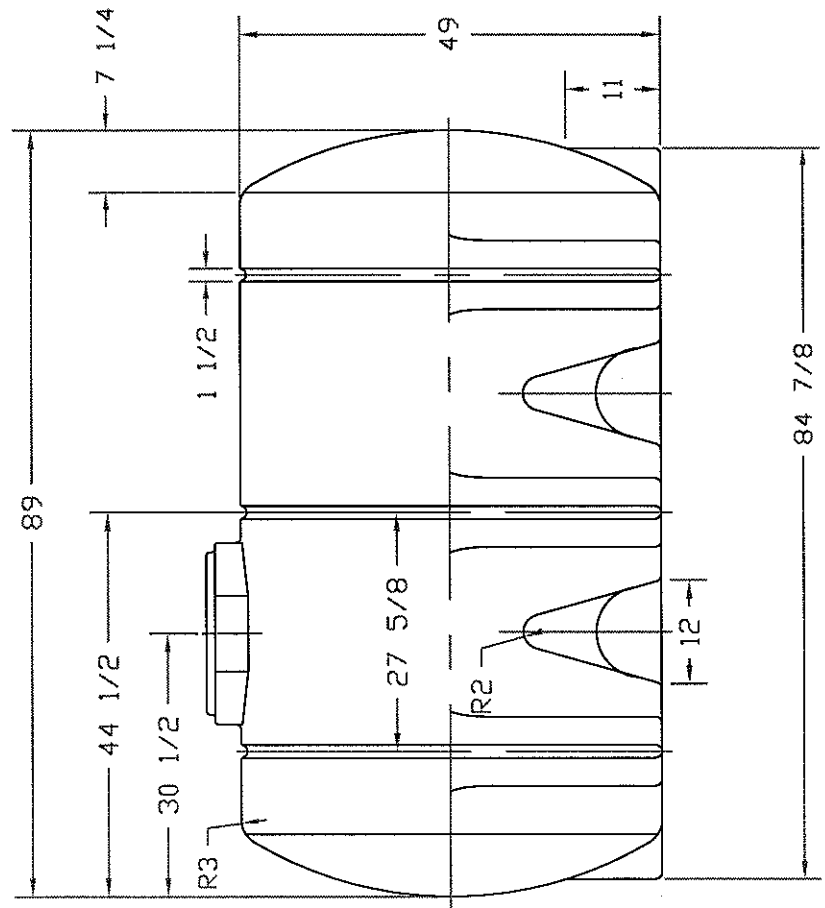
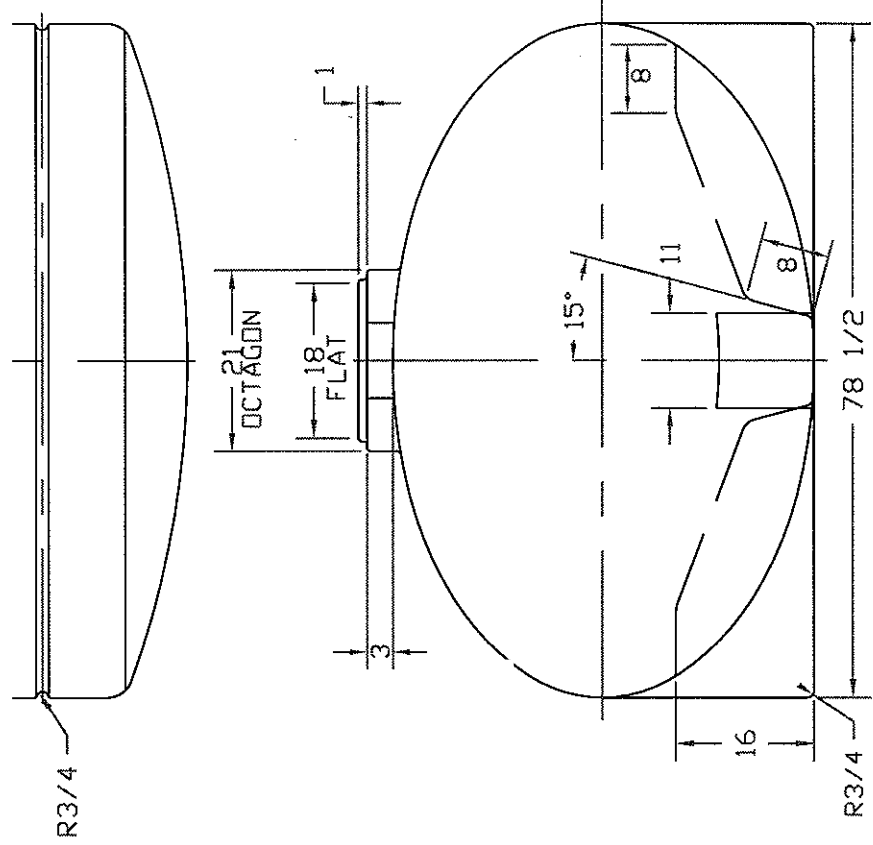


REVISIONS			
ZONE	REV	DESCRIPTION	DATE
	E	REDRAWN	25JUN97
	F	SPARGER FLATS REVISED	23OCT98
	G	SPARGER FLATS RMVD.	07MAR01



NORWESCO
 ST. BONIFACIUS, MN
 1035 GALLON ELLIPTICAL
 LEG TANK

JTP	25JUN97	SIZE	FSCM NO.	DWG NO.	REV
		B			G

SCALE 1/16 | SHEET