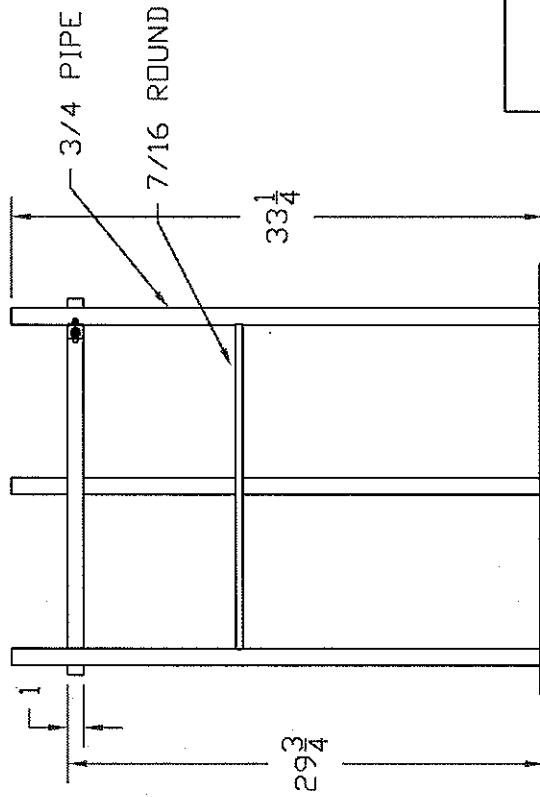
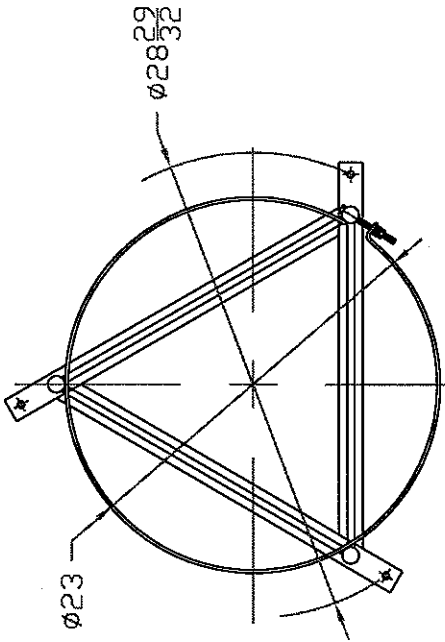


REVISIONS

| ZONE | REV | DESCRIPTION | DATE | APPROVED |
|------|-----|-------------------|---------|----------|
| | D | REVISED & REDRAWN | 21JUN04 | |
| | | | | |



NORWESCO
ST. BONIFACIUS, MN

35 GALLON INDUCTOR
TANK STAND

SIZE FSCM NO. DWG NO.
A

JTP 21JUN04

REV D

SCALE 1/12 SHEET

FINISH: BLACK ENAMEL