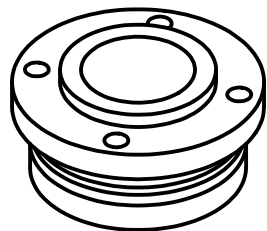
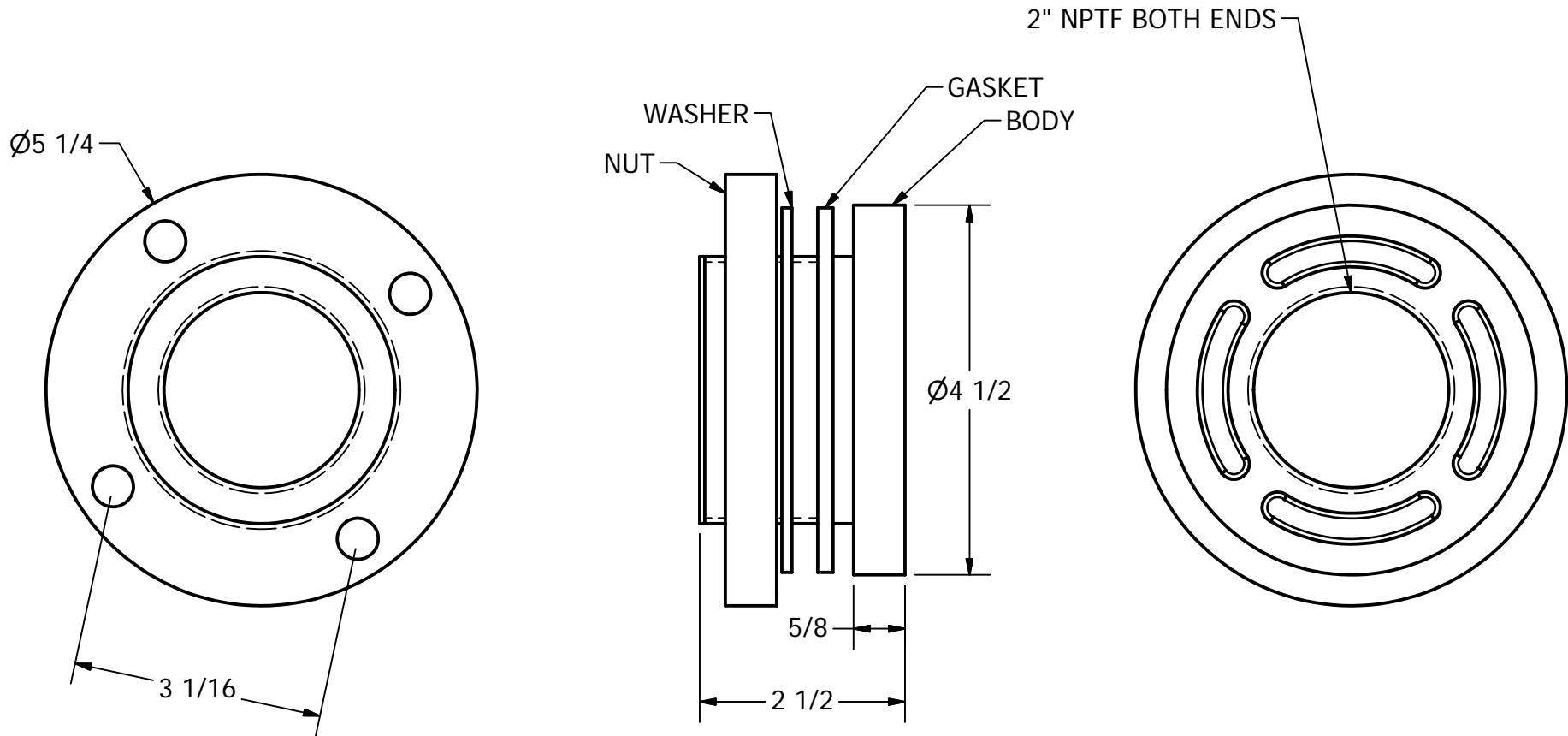



REV	DESCRIPTION	DATE	AUTHOR
A	REDRAWN, SIPHON REMOVED, P/N WAS 60337	9/21/2010	Jerry Paulson



DRAWN Jerry Paulson	9/21/2010		
CHECKED		NORWESCO, INC., ST. BONIFACIUS, MN	
QA		TITLE	
MFG		2 INCH HEAVY DUTY BULKHEAD FITTING	
APPROVED		SIZE A	REV A
		DWG NO 63683	
		SCALE: 1/16	SHEET 1 OF 1