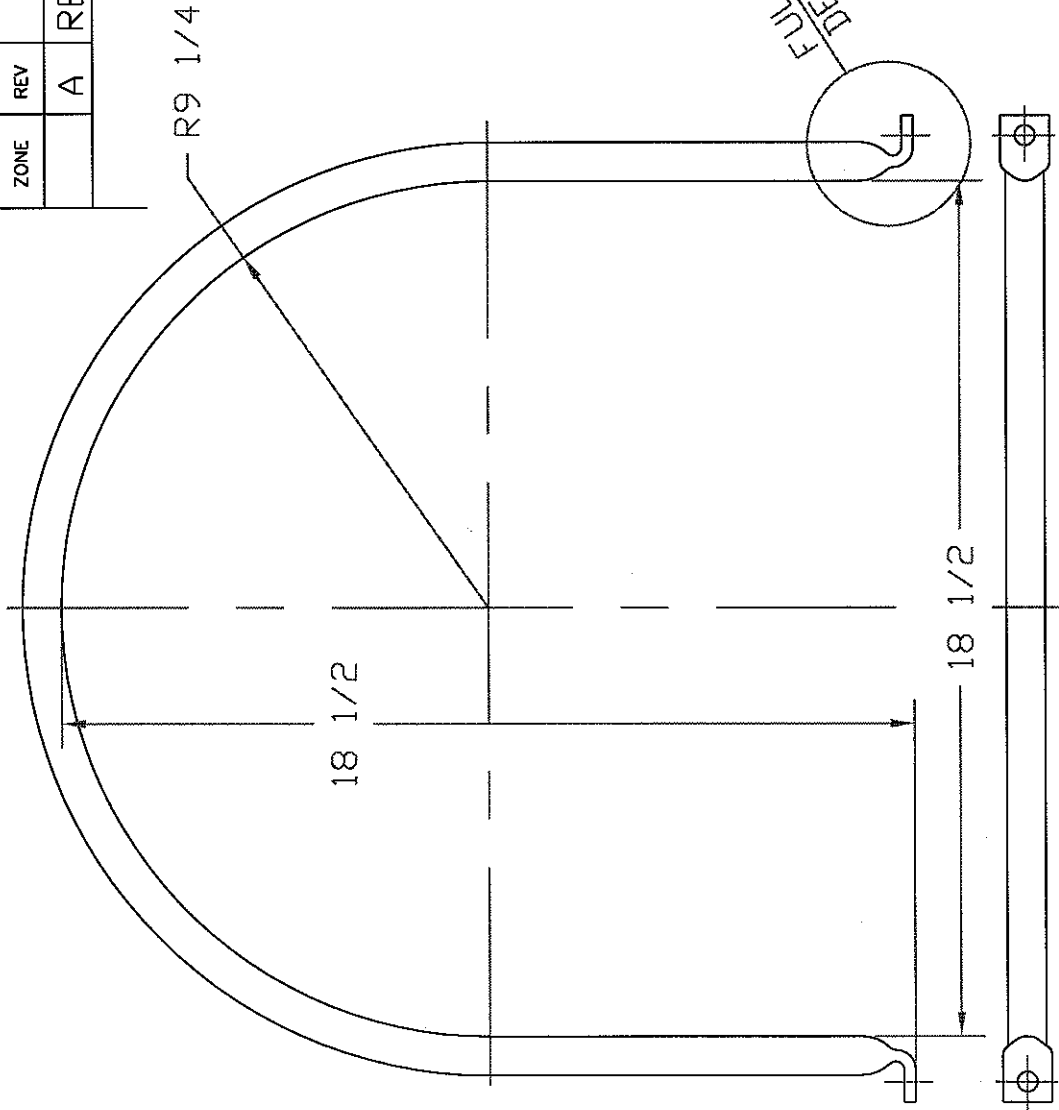


REVISIONS

ZONE	REV	DESCRIPTION	DATE	APPROVED
	A	REDRAWN	09SEP97	



MAT'L: 1/2" GALVANIZED EMT CONDUIT

NORWESCO
ST. BONIFACIUS, MN

BAND, 35 GALLON
HORIZONTAL TANK

JTP	09SEP97	SIZE	FSCM NO.	DWG NO.	REV
		A			A
SCALE 1/4				SHEET	