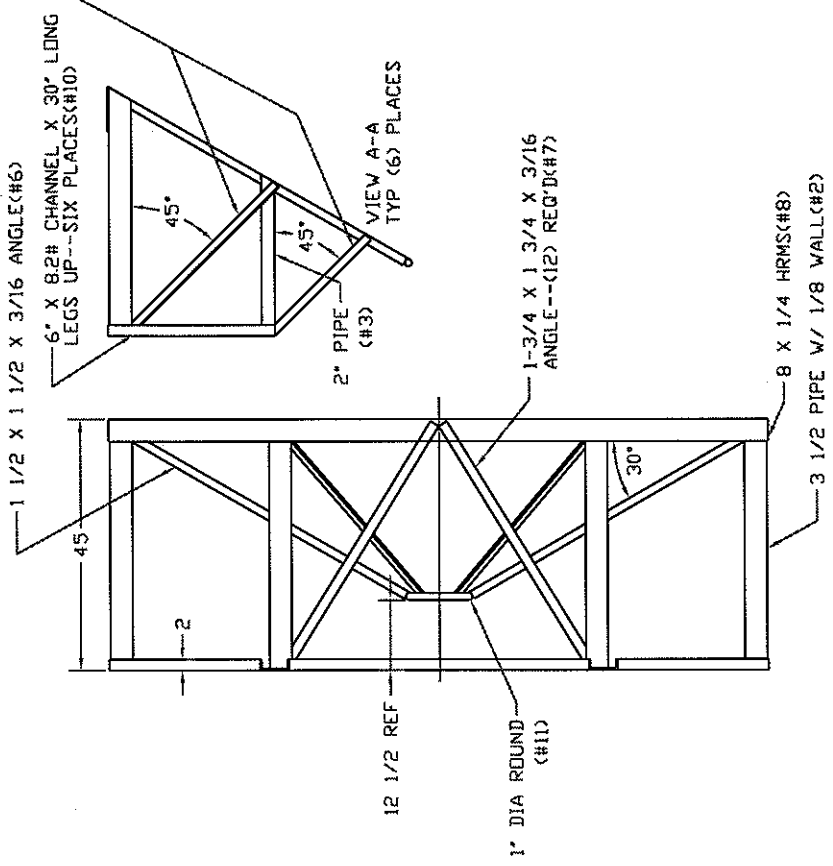
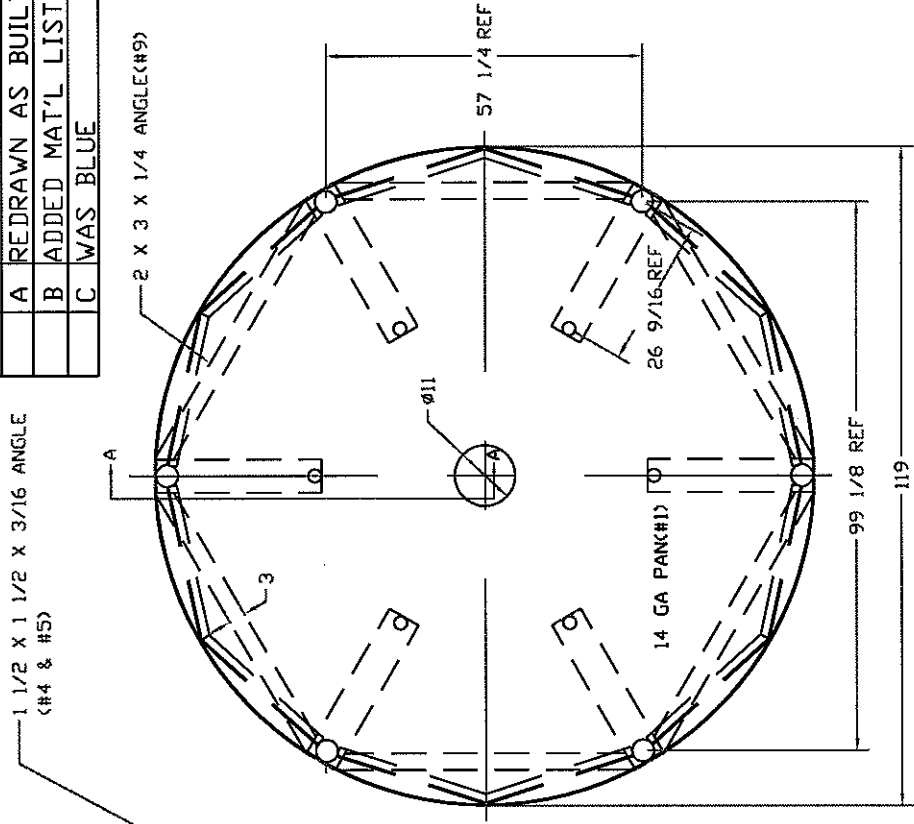


REVISIONS				
ZONE	REV	DESCRIPTION	DATE	APPROVED
	A	REDRAWN AS BUILT	12OCT94	
	B	ADDED MAT'L LIST	26JUN00	
	C	WAS BLUE	27FEB02	



PAINT BLACK	NORWESCO		SCALE 1/24	SHEET
	ST. BONIFACIUS, MN			
	STEEL STAND, 5500 GAL CONE BOTTOM TANK			
JTP 12OCT94	SIZE B	FSCM NO.	DWG NO.	REV C