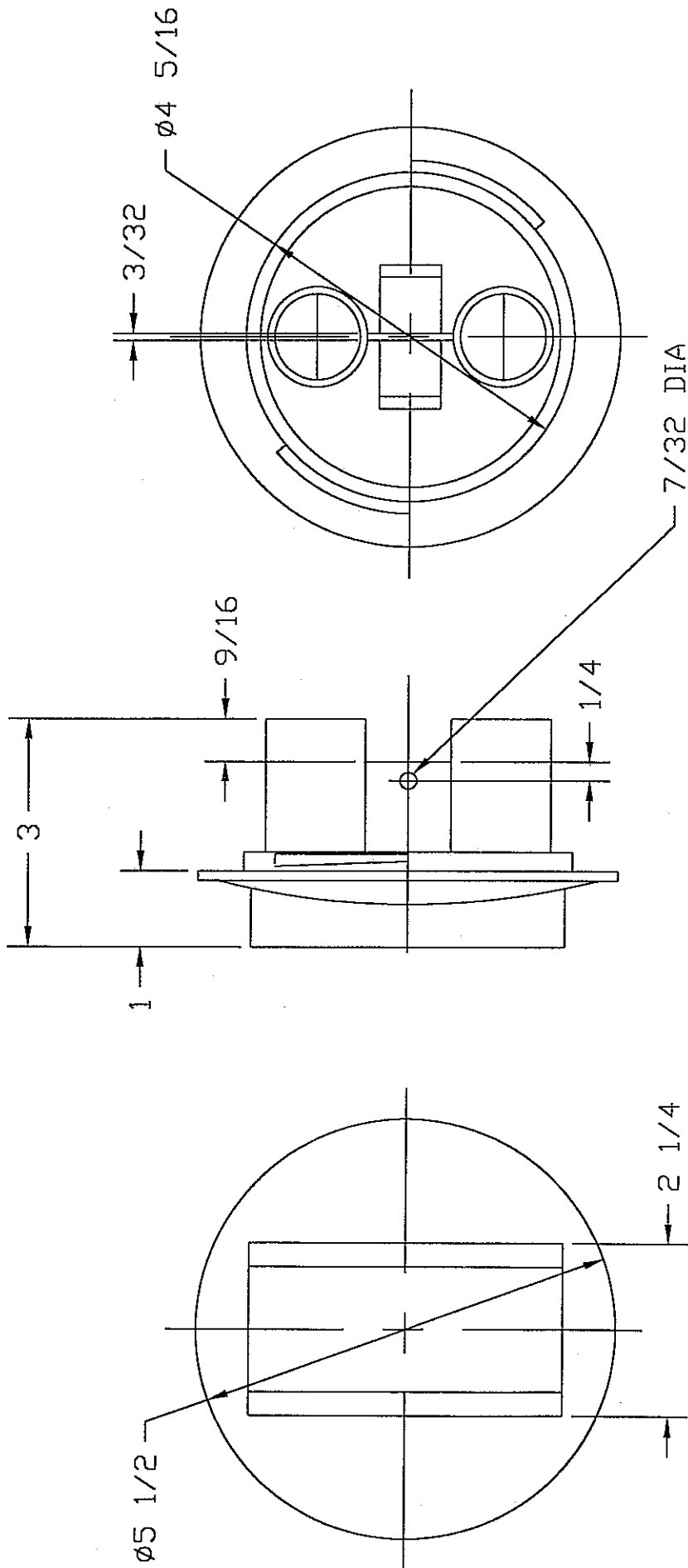


REVISIONS

ZONE	REV	DESCRIPTION	DATE	APPROVED
	A	ADDED WEB & ROPE HOLE	17APR98	



NORWESCO
ST. BONIFACIUS, MN

AIR VENT ASSY FOR
16" LID

JTP	12MAR96	SIZE	FSCM NO.	DWG NO.	60019	REV	A
		A					
				SCALE	1/2	SHEET	