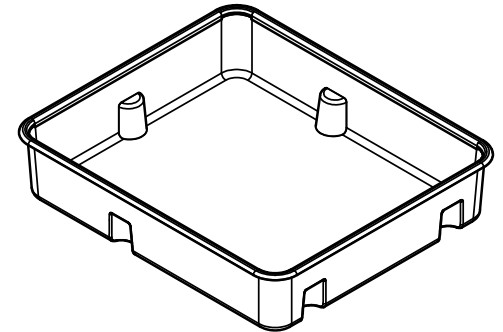



SECTION A-A
SCALE 1/8



DRAWN Jerry Paulson	11/20/2008			
CHECKED		NORWESCO, INC., ST. BONIFACIUS, MN		
QA		TITLE		
MFG		600 GALLON CONTAINMENT BASIN		
APPROVED		SIZE B	DWG NO	REV
		SCALE: 1/16		SHEET 1 OF 1