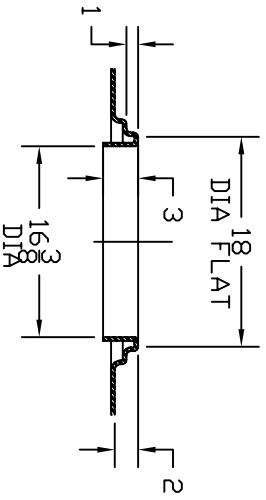
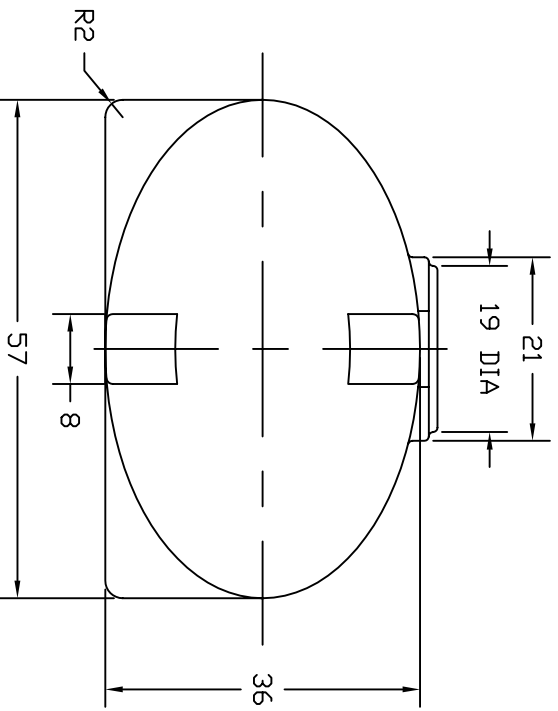
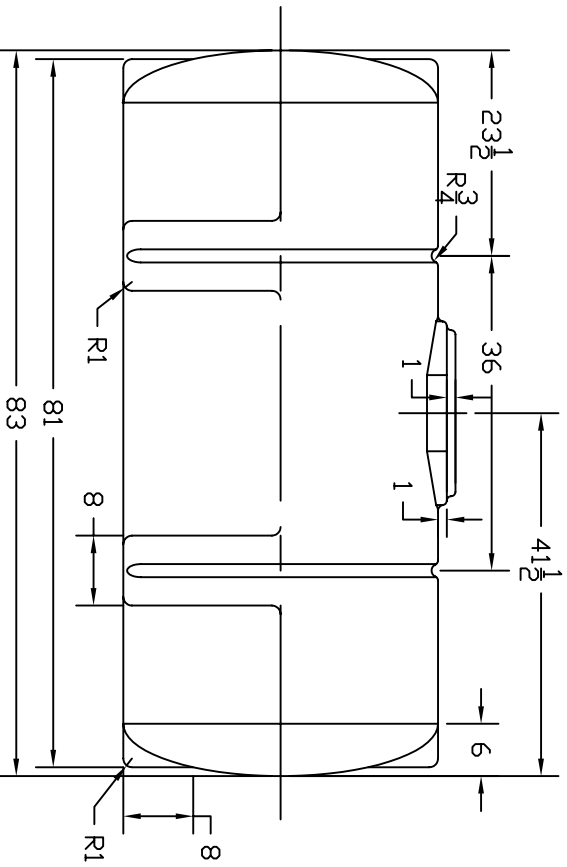


REVISIONS				
ZONE	REV	DESCRIPTION	DATE	APPROVED



FILLWELL DETAIL
1/12 SCALE



		ST. BONIFACIUS, MN	
		535 GALLON	
JTP		23FEB06	
SIZE	FSCM NO.	DWG NO.	REV
B			
SCALE 1/16		SHEET	