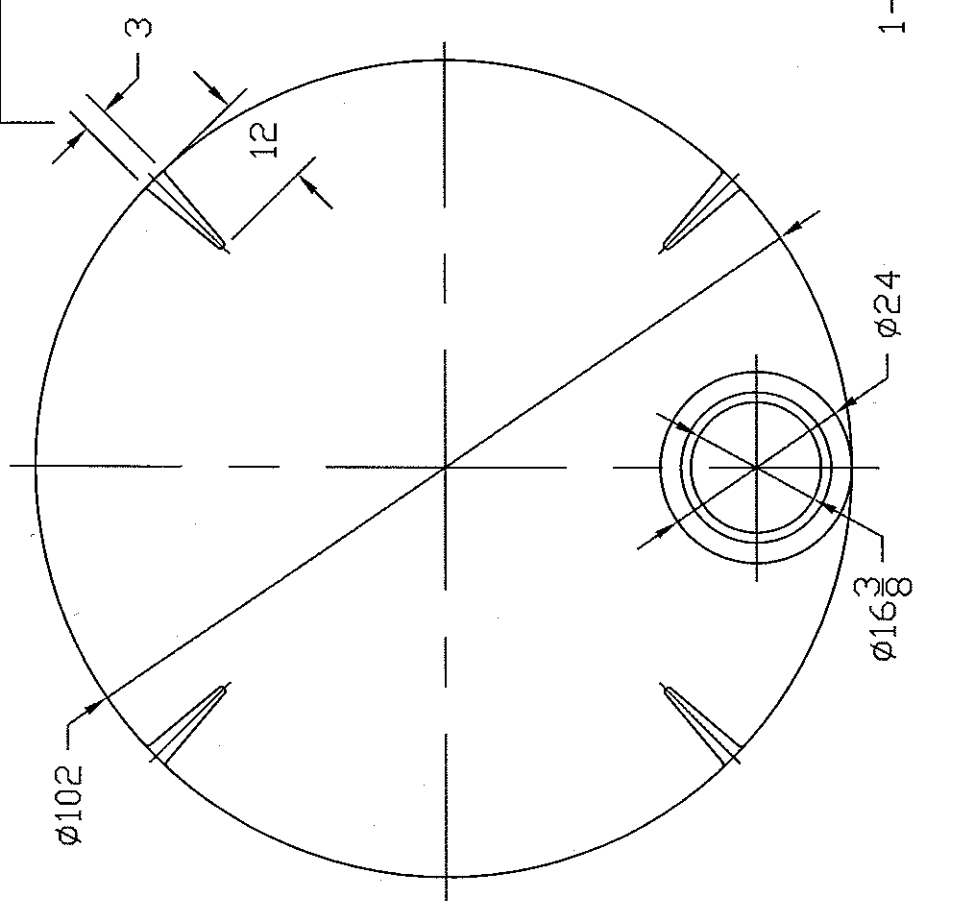


REVISIONS		
ZONE	REV	DESCRIPTION

DATE	APPROVED



NORWESCO		ST. BONIFACIUS, MN
2800 GALLON (X 102 DIA) CONTAINMENT TANK		
SIZE	FSCM NO.	DWG NO.
A		
JTP	22FEB05	
SCALE 1/24		SHEET

RIB DIMENSIONS		REV
1 1/2	4	
1/4 SCALE		