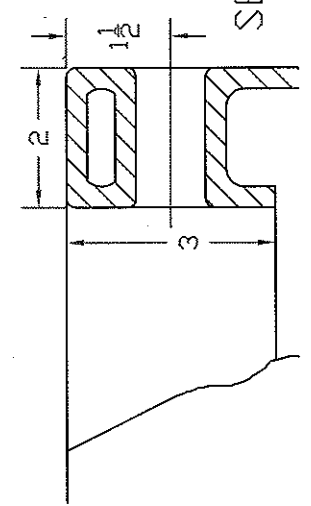
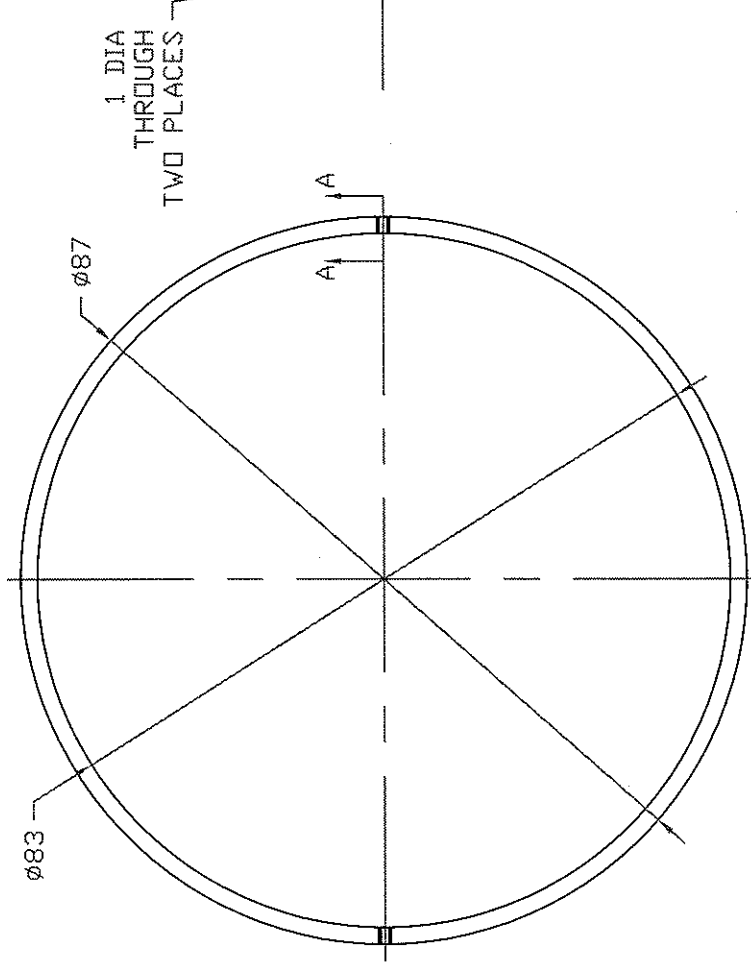
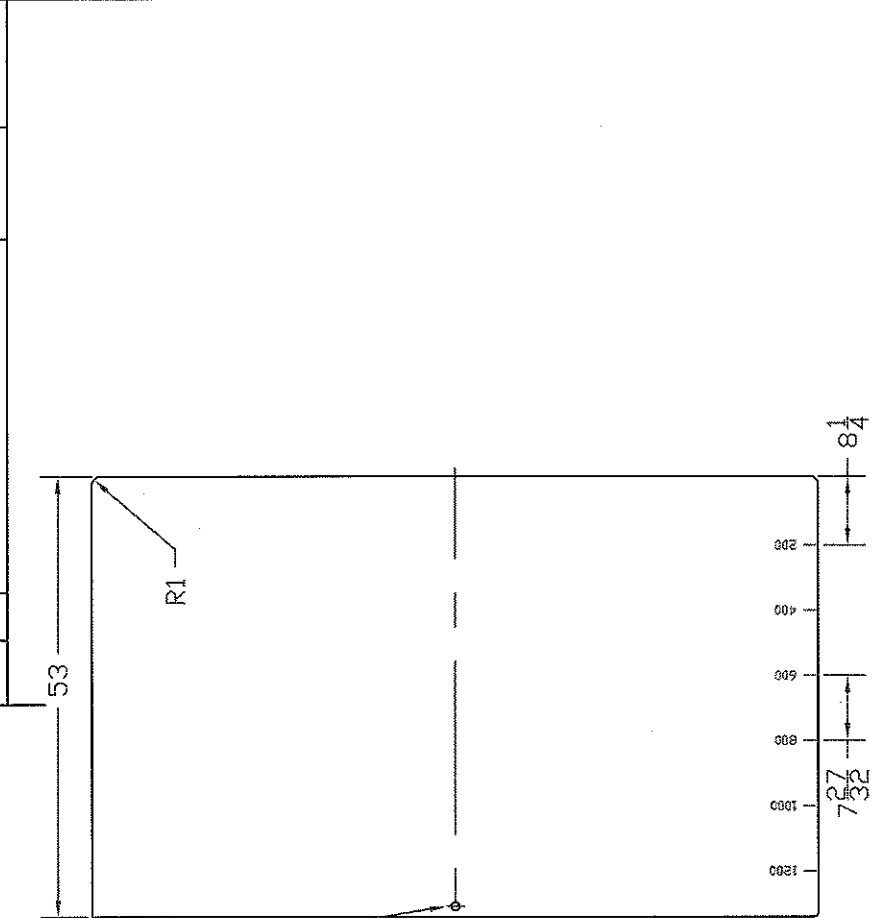


REVISIONS			
ZONE	REV	DESCRIPTION	DATE



SECTION A-A 1/2 SCALE

		ST. BONIFACIUS, MN 1350 GALLON OPEN TOP TANK	
JTP	15MAY03	SIZE B	FSCM NO. DWG NO.
SCALE 1/16			SHEET