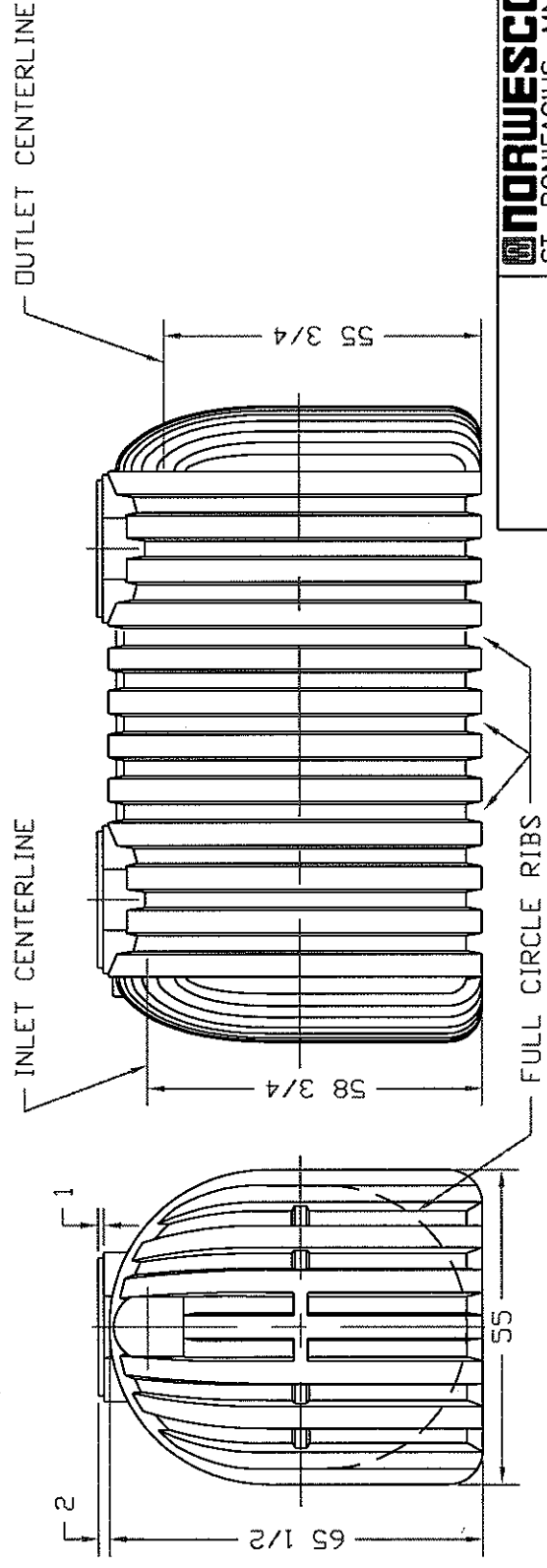
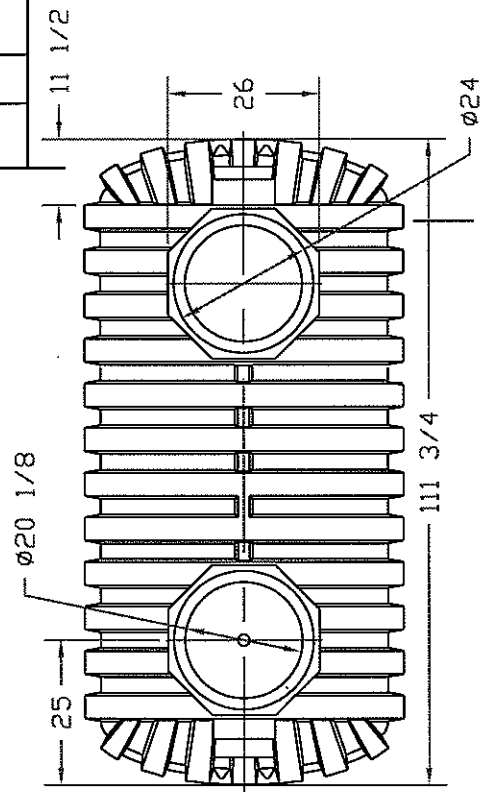
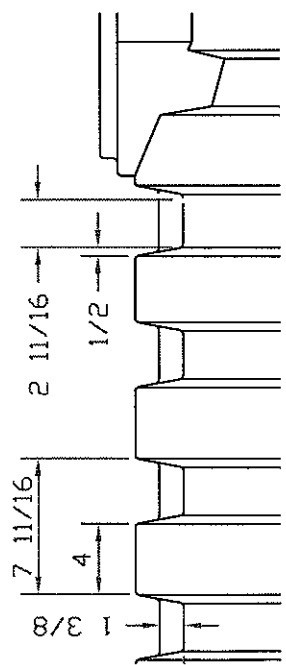


REVISIONS			
ZONE	REV	DESCRIPTION	DATE



NORWESCO
ST. BONIFACIUS, MN
1400 GALLON
CISTERN TANK

JTP	30JUN00	SIZE	FSCM NO.	DWG NO.	REV
		B		41893	
				SCALE	SHEET
				1/24	