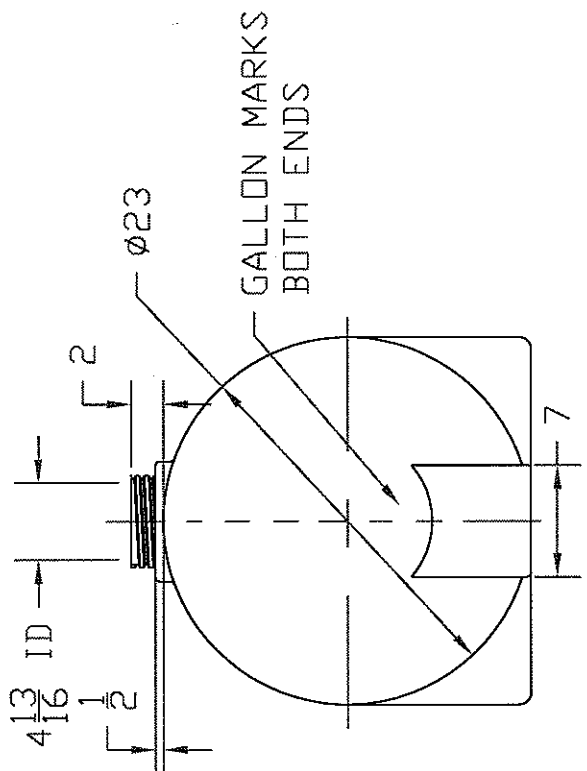
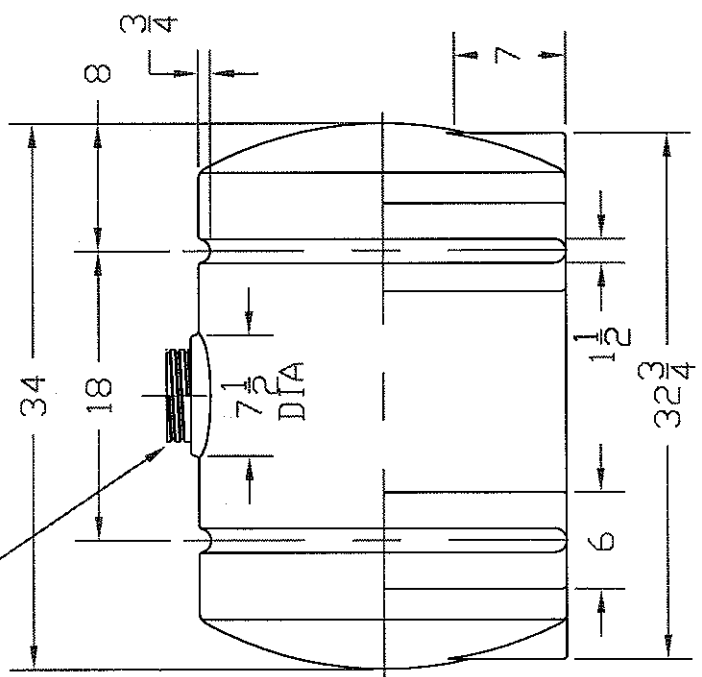


REVISIONS

ZONE	REV	DESCRIPTION	DATE	APPROVED

ACME THREAD  
 5-3/4 MAJOR DIA  
 5-3/8 MINOR DIA  
 9/16 PITCH



**NORWESCO**  
 ST. BONIFACIUS, MN

55 GALLON HORIZONTAL  
 TANK

JTP 25AUG03

SIZE FSCM NO. DWG NO.

A

SCALE 1/12

SHEET

REV