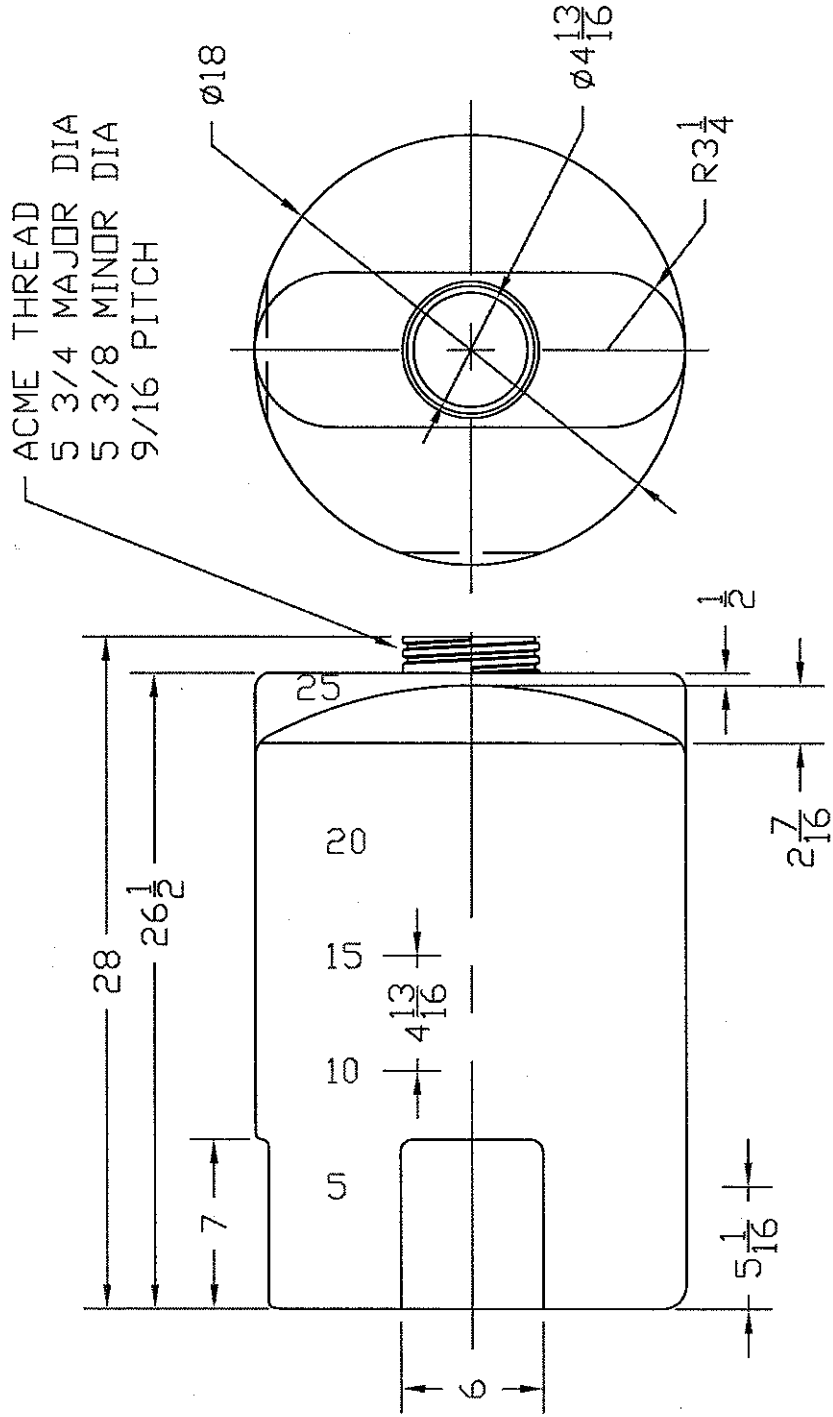


REVISIONS

ZONE	REV	DESCRIPTION	DATE	APPROVED



**NORWESCO**  
 ST. BONIFACIUS, MN

25 GALLON VERTICAL TANK

JTP 10JUL03

SIZE FSCM NO.

A

DWG NO.

SHEET

SCALE 1/8

REV