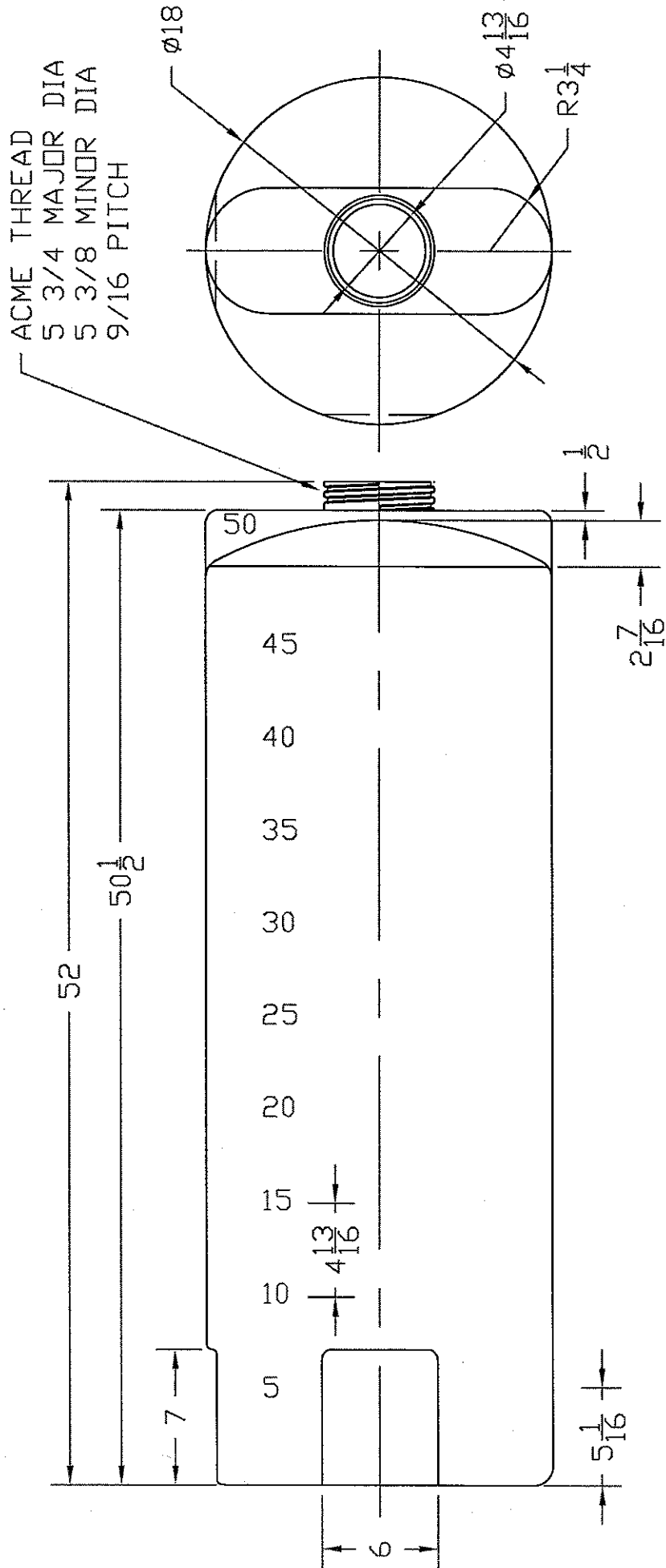


REVISIONS

ZONE	REV	DESCRIPTION	DATE	APPROVED



NORWESCO
 ST. BONIFACIUS, MN

50 GALLON VERTICAL TANK

JTP	10JUL03	SIZE	FSCM NO.	DWG NO.	REV
		A			
SCALE 1/8				SHEET	