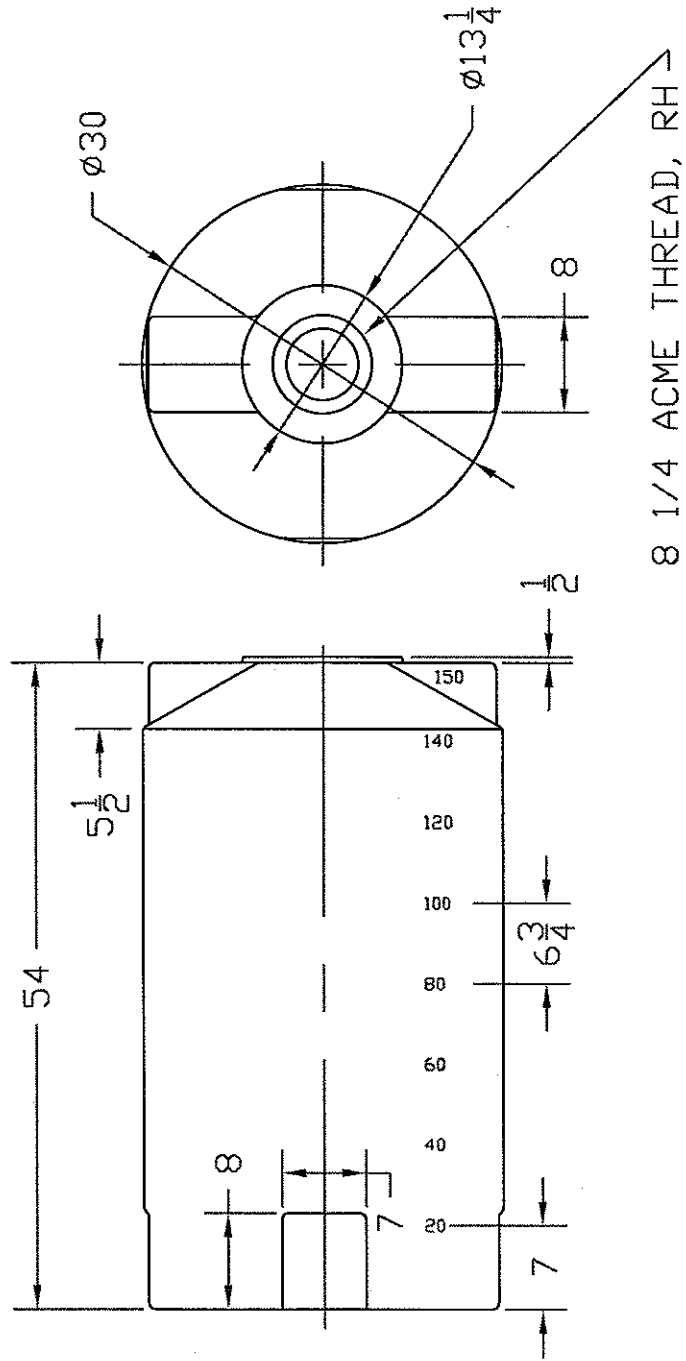


REVISIONS

ZONE	REV	DESCRIPTION	DATE	APPROVED



NORWESCO
ST. BONIFACIUS, MN

150 GALLON VERTICAL
TANK X 30 DIA

JTP	11JUL03	SIZE	FSCM NO.	DWG NO.	REV
		A			
SCALE 1/16				SHEET	