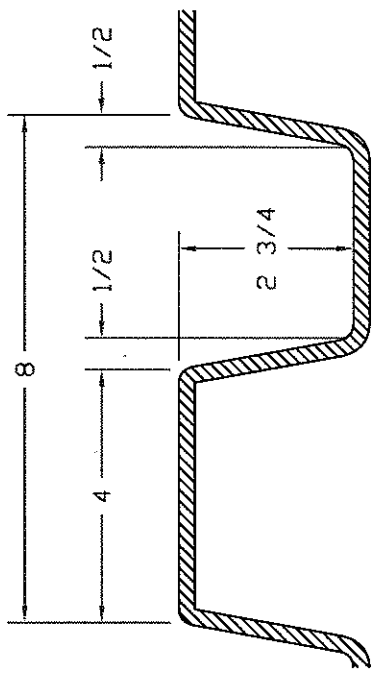
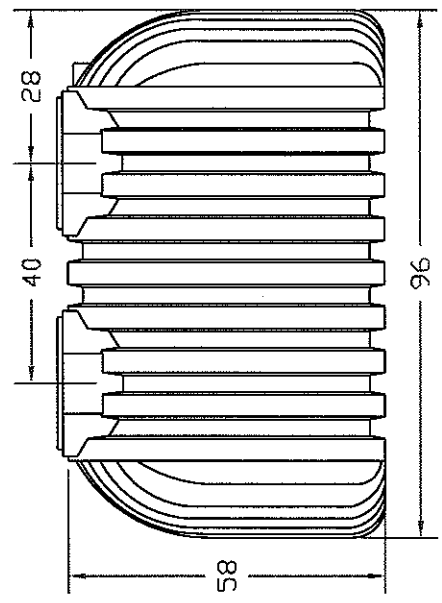
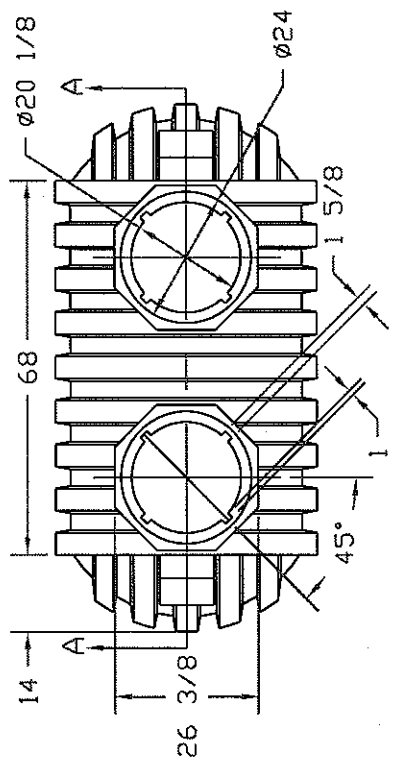
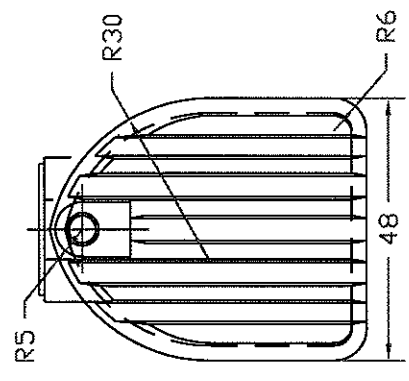


REVISIONS			
ZONE	REV	DESCRIPTION	DATE

APPROVED



RIB DETAIL  
1/2 SCALE



**NORWESCO**  
ST. BONIFACIUS, MN

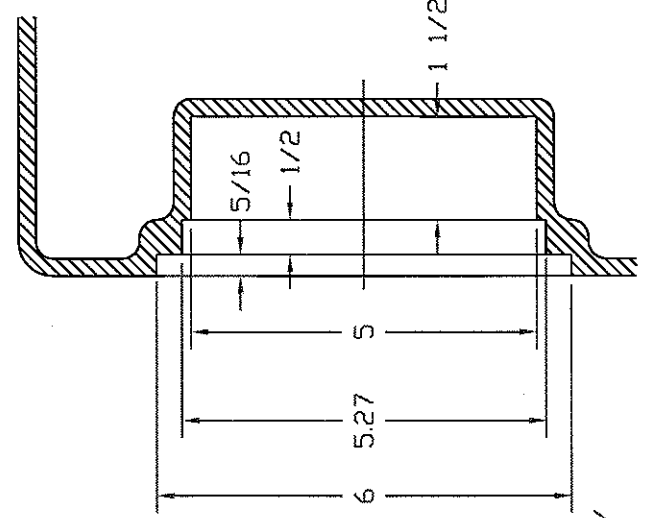
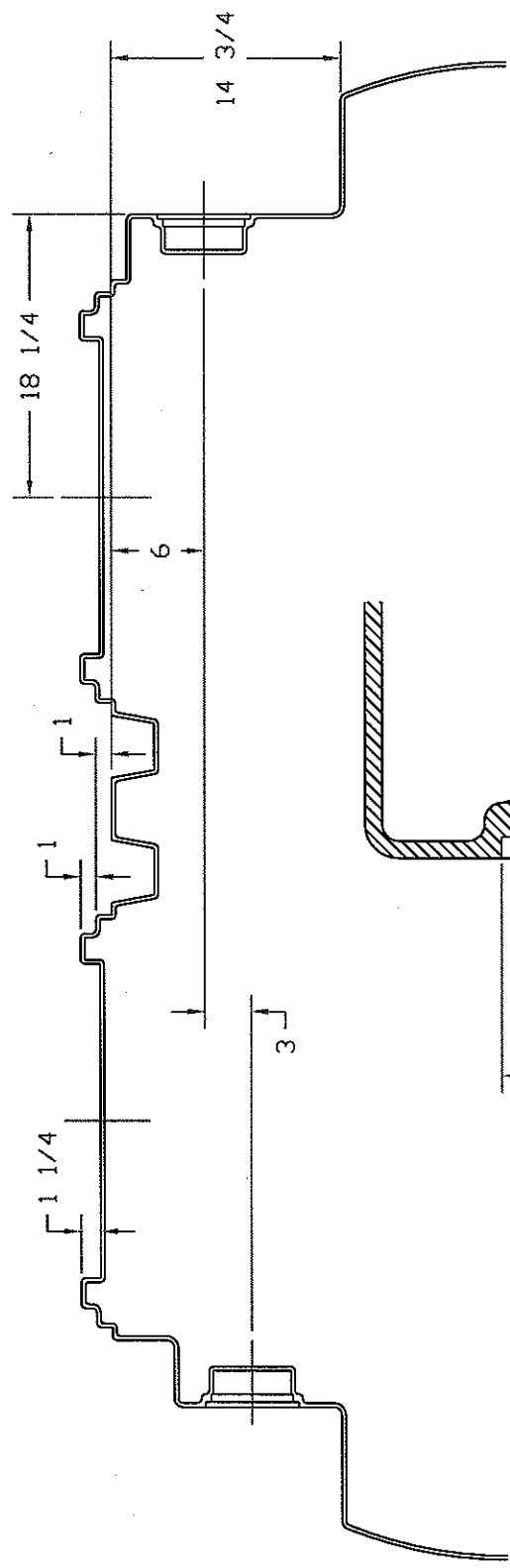
SEPTIC TANK, 750  
GALLON, 2-MANHOLE

JTP 19JUL95	SIZE B	FSCM NO. 41814/41714/41816	DWG NO. 41814/41714/41816	REV
		SCALE 1/24		SHEET 1 OF 2

AVAILABLE FROM NY ONLY

REVISIONS			
ZONE	REV	DESCRIPTION	DATE

SECTION A-A 1/8 SCALE



INLET/OUTLET DETAIL  
1/2 SCALE

AVAILABLE FROM NY ONLY

<b>NORWESCO</b>		ST. BONIFACIUS, MN	
SEPTIC TANK, 750		GALLON, 2-MANHOLE	
JTP	19JUL95	SIZE	FSCM NO.
		B	41814/41714/41816
		SCALE	1/24
			SHEET 2 OF 2