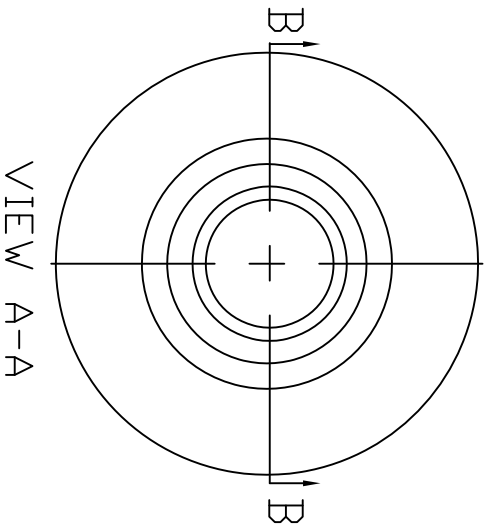
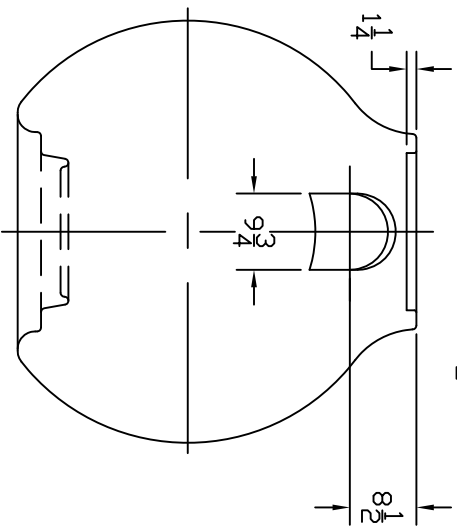
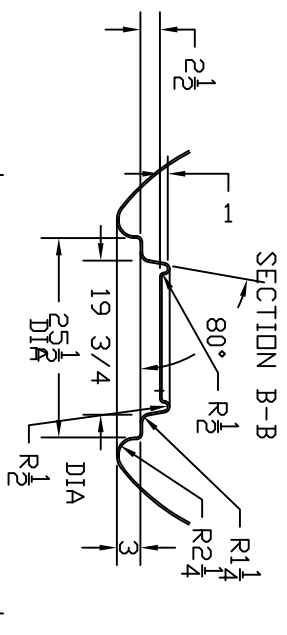
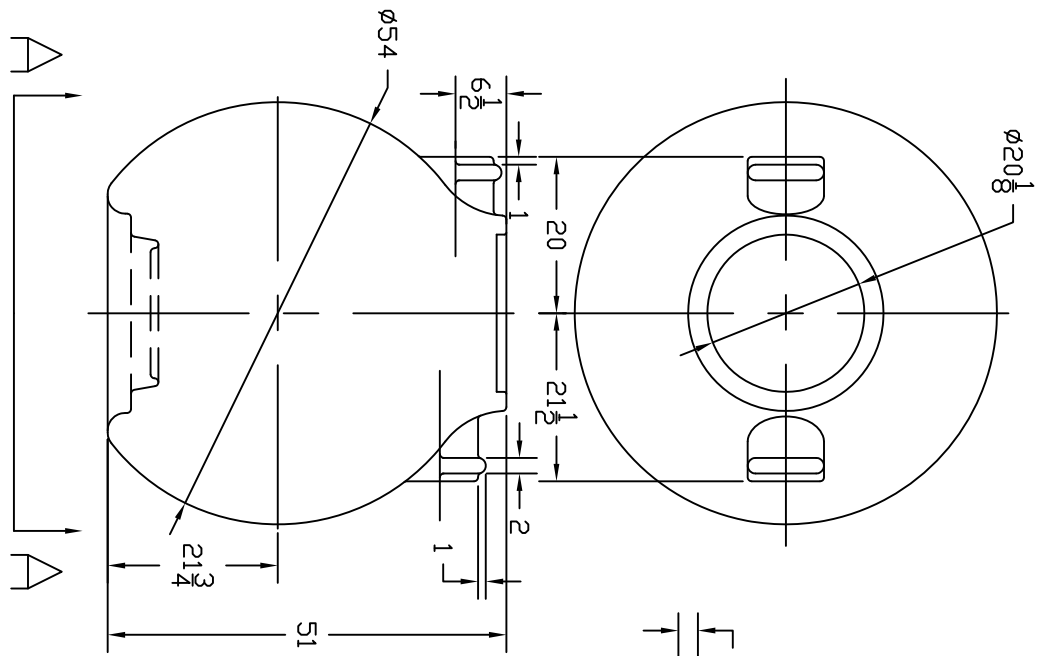


REVISIONS				
ZONE	REV	DESCRIPTION	DATE	APPROVED
	A	REMOVED INLET HUB	24MAY10	



AVAILABLE AT ALL LOCATIONS

		ST. BONIFACIUS, MN	
		300 GALLON SEPTIC TANK	
JTP	13APR01	SCALE 1/16	SHEET
REV	A	DWG NO.	REV