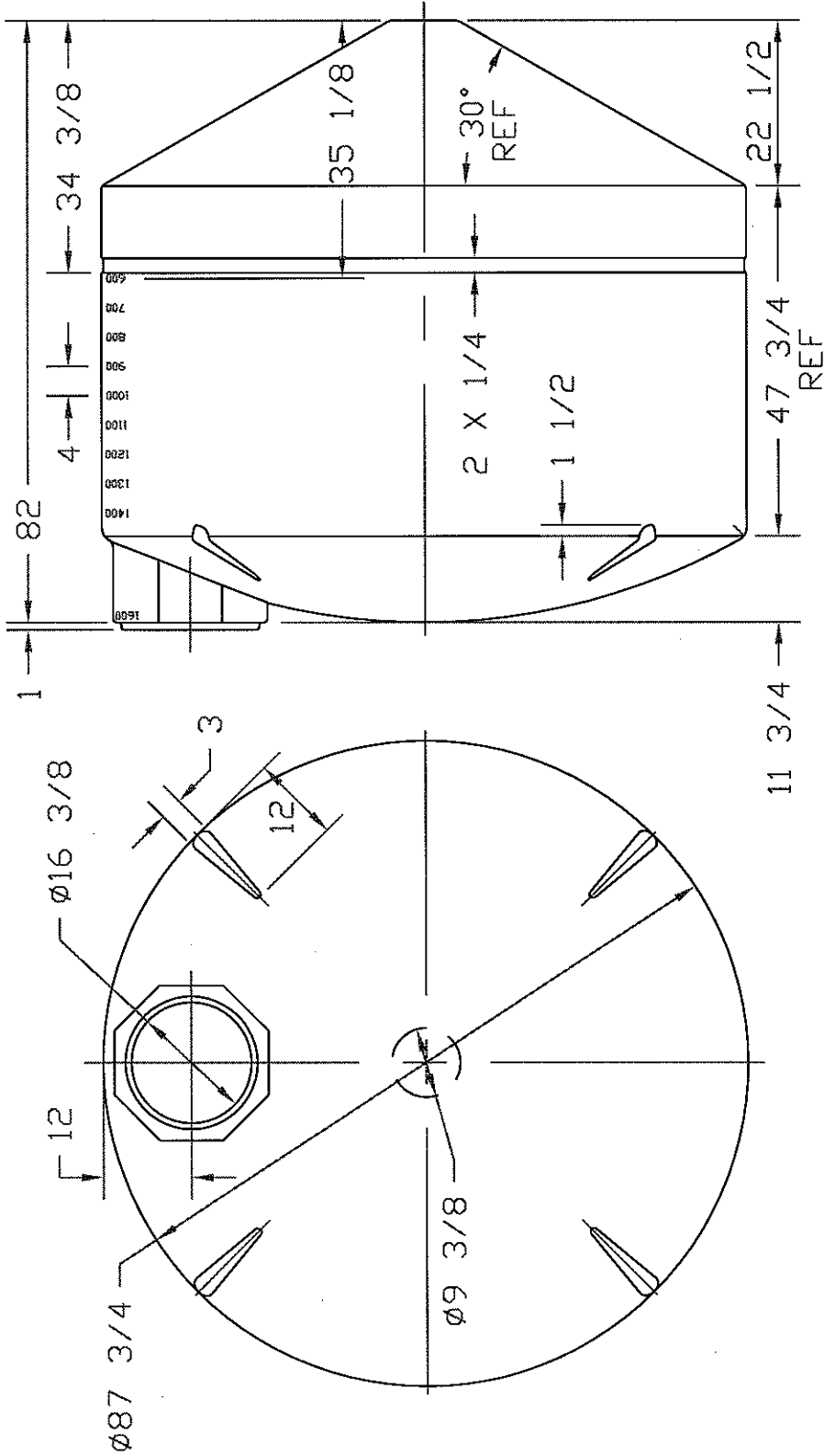


REVISIONS

| ZONE | REV | DESCRIPTION | DATE | APPROVED |
|------|-----|-------------|------|----------|
|      |     |             |      |          |



**NORWESCO**  
ST. BONIFACIUS, MN

1600 GALLON CONE BOTTOM  
TANK

|            |         |        |          |         |     |
|------------|---------|--------|----------|---------|-----|
| JTP        | 13MAY97 | SIZE A | FSCM NO. | DWG NO. | REV |
| SCALE 1/24 |         |        | SHEET    |         |     |