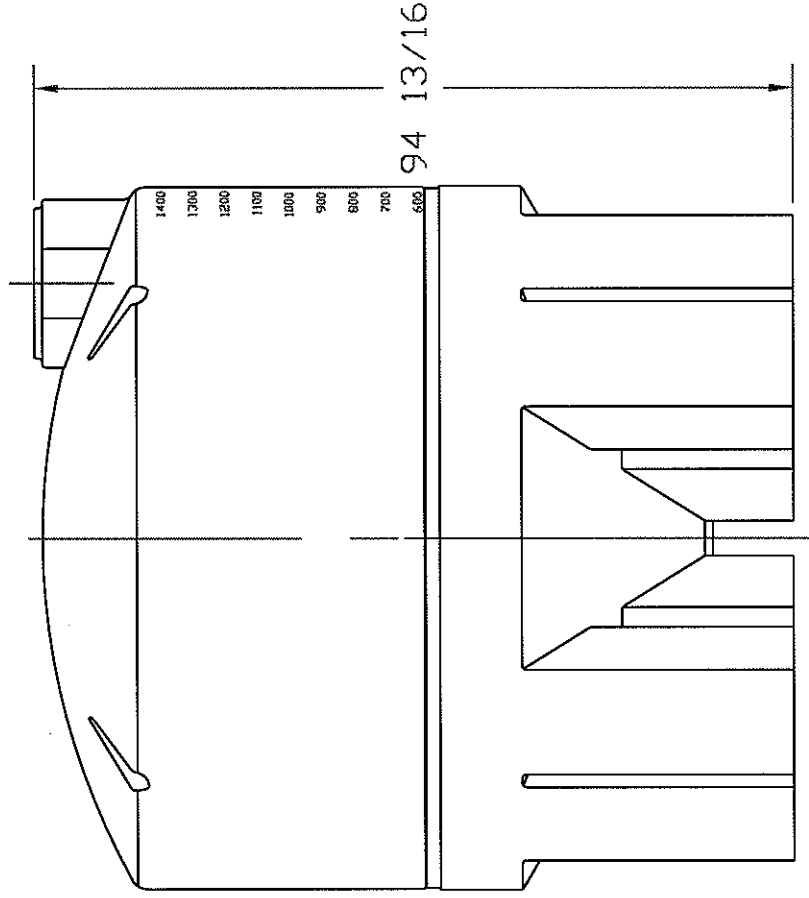


REVISIONS

| ZONE | REV | DESCRIPTION | DATE | APPROVED |
|------|-----|-------------|------|----------|
| | | | | |



NORWESCO
ST. BONIFACIUS, MN

1600 GALLON CONE BOTTOM
TANK & STAND

| | | | | | |
|-----|---------|------|----------|---------|-----|
| JTP | 13MAY97 | SIZE | FSCM NO. | DWG NO. | REV |
| | | A | | | |

SCALE 1/24

SHEET