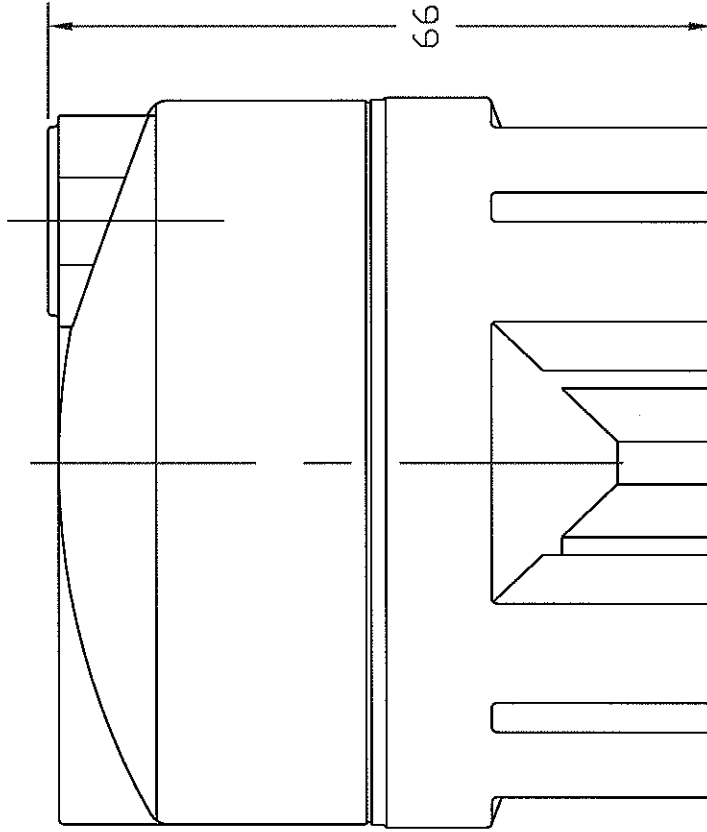


REVISIONS

ZONE	REV	DESCRIPTION	DATE	APPROVED



NORWESCO
ST. BONIFACIUS, MN

750 GALLON CONE BOTTOM
TANK & STAND

JTP	15APR97	SIZE	FSCM NO.	DWG NO.	REV
		A			
SCALE 1/16				SHEET	