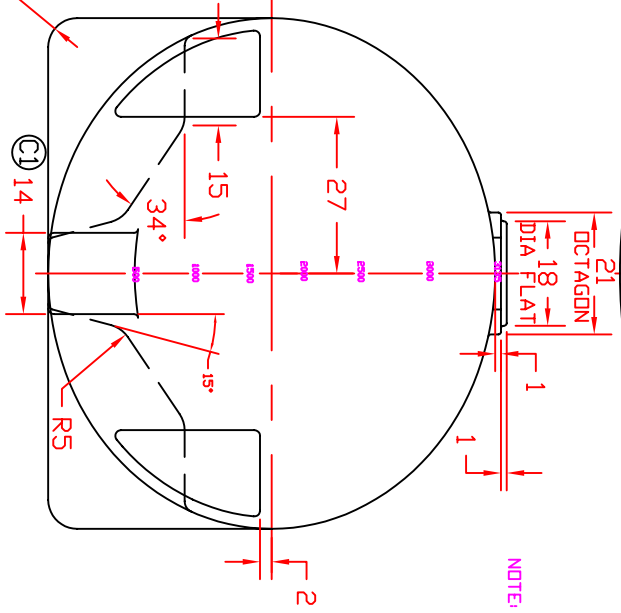
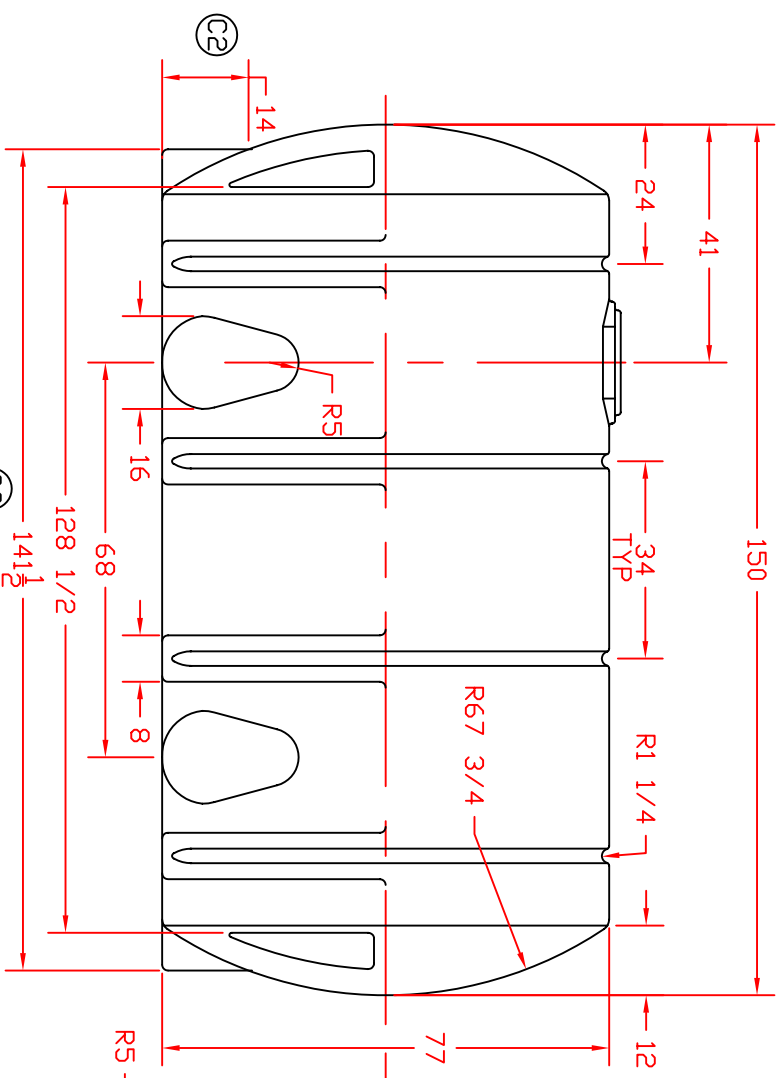
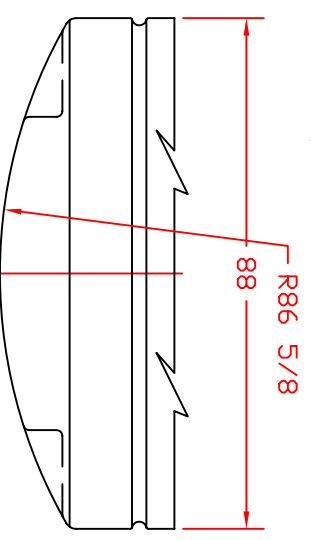
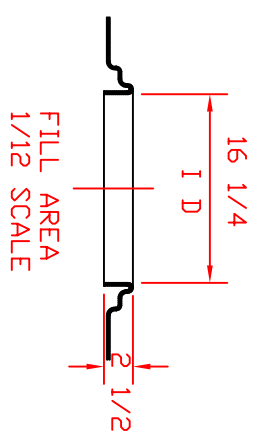


REVISIONS				
ZONE	REV	DESCRIPTION	DATE	APPROVED
C	1	2 WAS 12	1/2	15OCT08
	2	3 WAS 137		
	3			



NOTE:
GALLON MARKERS
ON OPPOSITE END
ONLY

- 65 13/16
- 53 29/32
- 44 3/32
- 34 13/16
- 25 13/32
- 15 3/32
- 0

NORWESCO
ST. BONIFACIUS, MN
3135 GALLON
ELLIPTICAL LEG TANK

JTP 29JUN95
SCALE 1/24

SIZE FSCM NO. DWG NO. SHEET

REV C