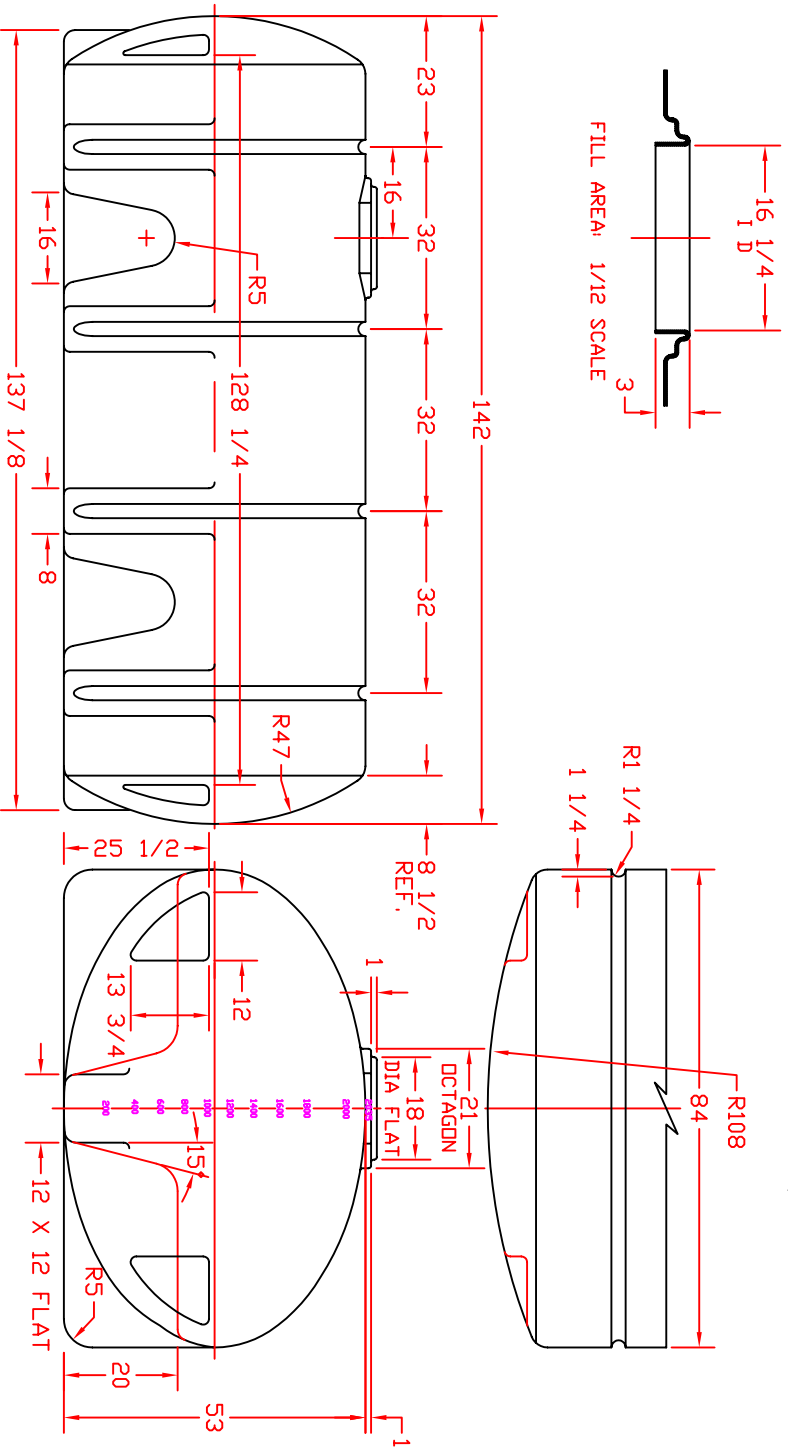


| REVISIONS | | | | |
|-----------|-----|-------------|------|----------|
| ZONE | REV | DESCRIPTION | DATE | APPROVED |
| | | | | |



FDB GRIFFIN, GA, LANCASTER, OH, TOOELE, UT, & HANFORD, CA

| | | | |
|-------|------------|-----------------------------|----------|
| | | ST. BONIFACIUS, MN | |
| | | 2035 GALLON ELLIPTICAL TANK | |
| JTP | 20APR94 | SIZE | FSOM NO. |
| B | SCALE 1/24 | DWG NO. | REV |
| SHEET | | REV | |