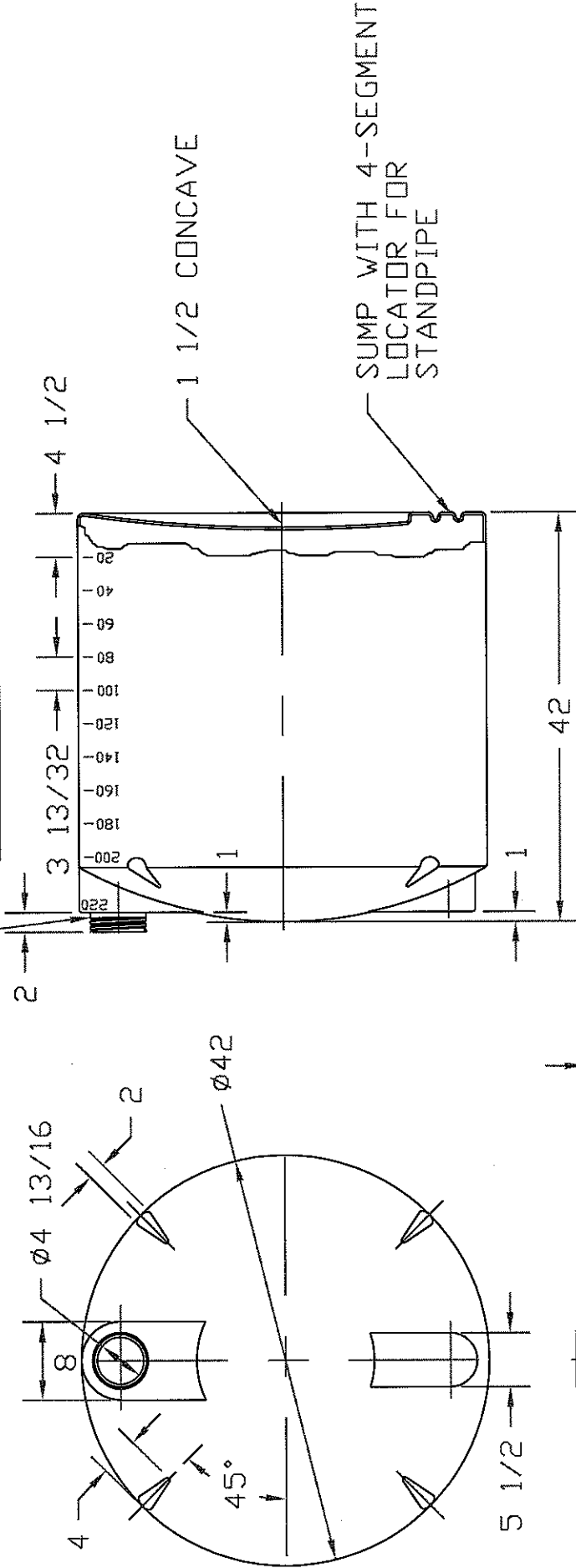


REVISIONS

| ZONE | REV | DESCRIPTION | DATE | APPROVED |
|------|-----|--------------------|---------|----------|
| | B | REDRAWN | 13JAN97 | |
| | C | LID THREAD REVISED | 09FEB00 | |

ACME THREAD
 5-3/4 MAJOR DIA
 5-3/8 MINOR DIA
 9/16 PITCH



6 3/4 X 6 3/4 FLAT

| | | | |
|------------------------------|---------|--------------------|----------|
| | | ST. BONIFACIUS, MN | |
| 220 GALLON MINI BULK TANK | | FSCM NO. | DWG NO. |
| JTP | 13JAN97 | SIZE A | REV C |
| SCALE 1/16 | | SHEET | |