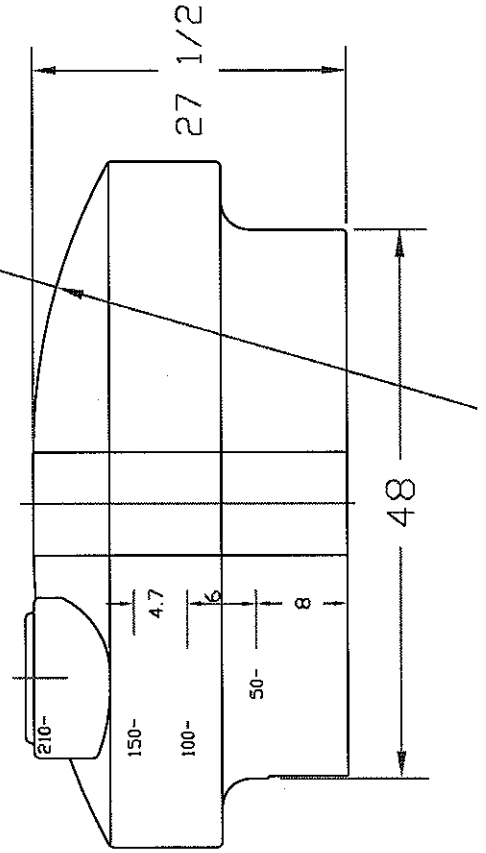
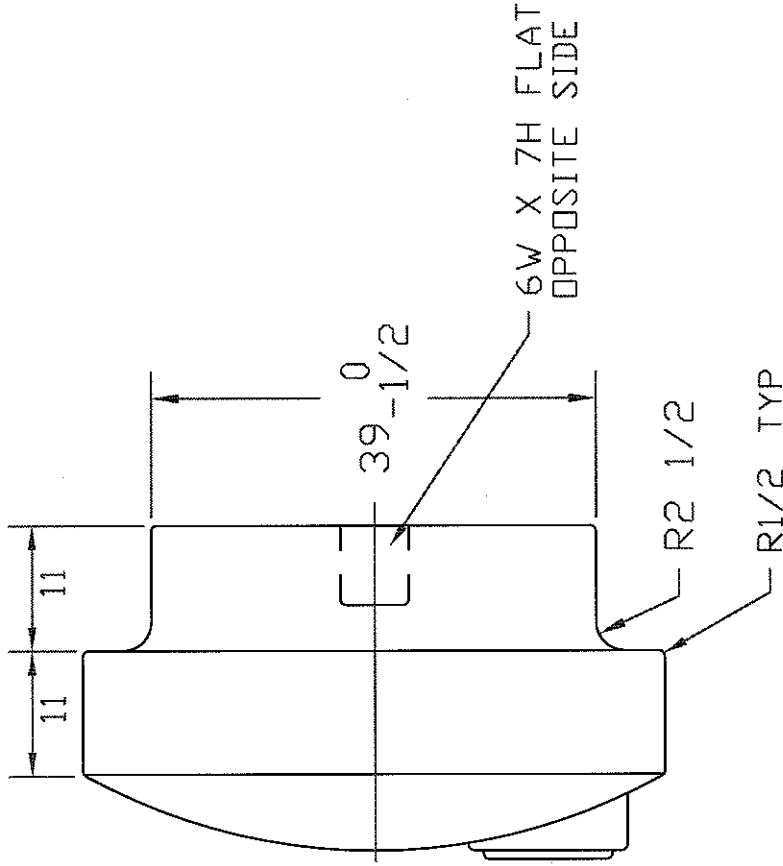
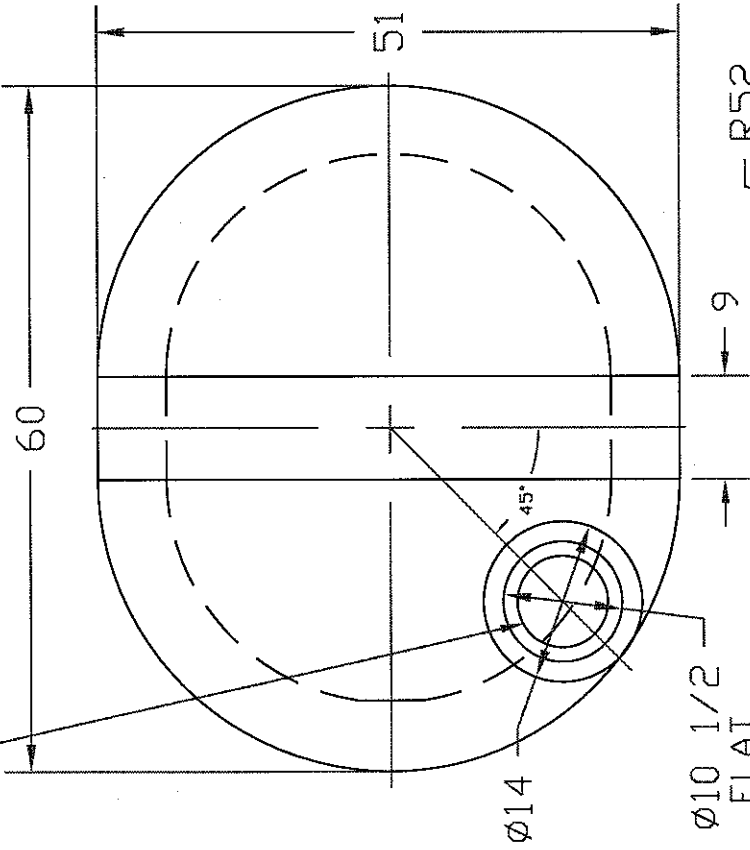


REVISIONS

ZONE	REV	DESCRIPTION	DATE	APPROVED
	B	REDRAWN	2APR96	

8 1/4 ACME THREAD, RH



**NORWESCO**  
ST. BONIFACIUS, MN

210 GALLON PICKUP  
TANK

SIZE A	FSCM NO.	DWG NO.	REV B
		JTP 2APR96	
SCALE 1/16			SHEET