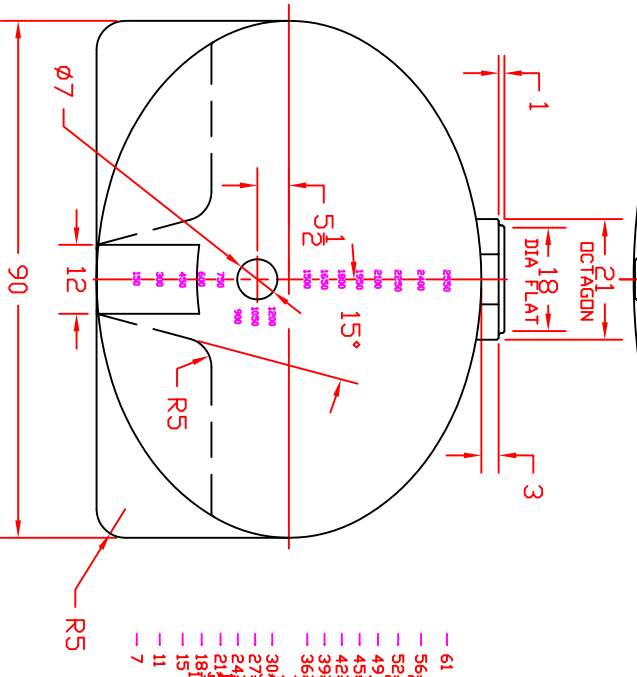
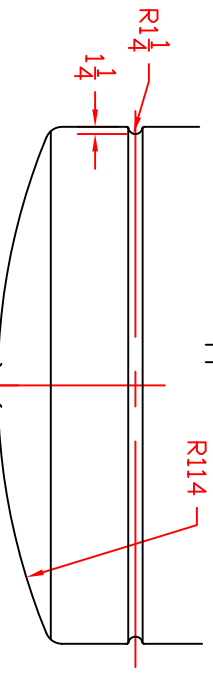
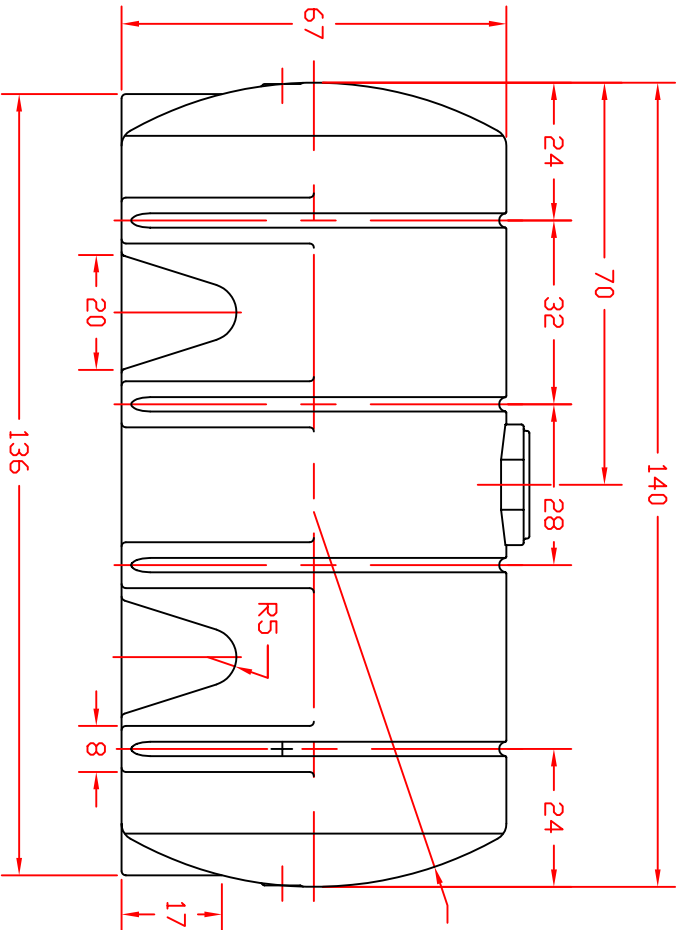


REVISIONS				REVISIONS					
ZONE	REV	DESCRIPTION	DATE	APPROVED	ZONE	REV	DESCRIPTION	DATE	APPROVED
	C	REDRAWN, SPRGR	REV'D 17AUG04			B	REDRAWN, SPRGR	REV'D 22OCT97	



FDB GRIFFIN, GA, LANCASTER, OH, TODELE, UT & HANFORD, CA

NORWESCO
 ST. BONIFACIUS, MN
 2635 GALLON ELLIPTICAL
 HORIZONTAL LEG TANK

JTP 22OCT97
 SCALE 1/24
 SHEET

REV C