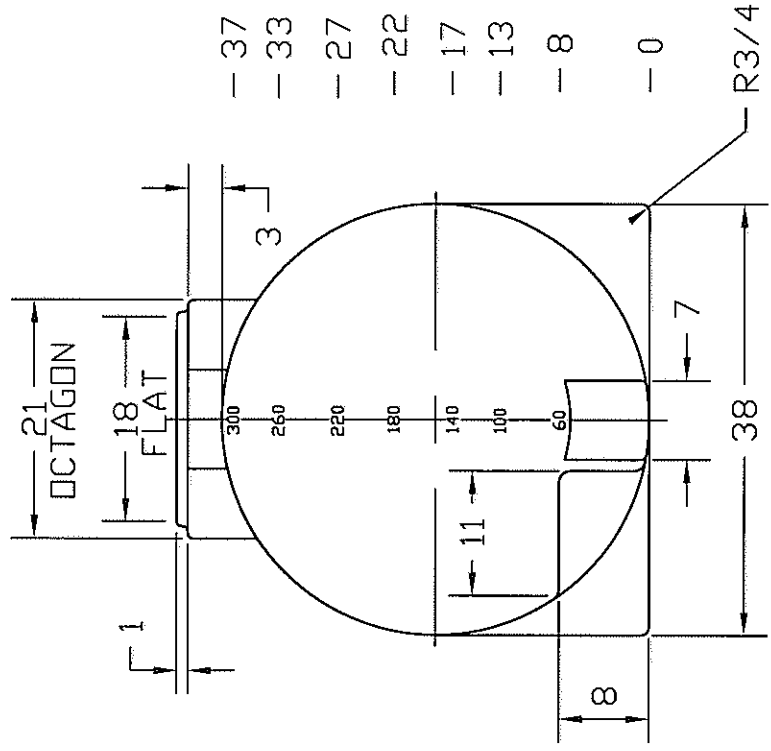
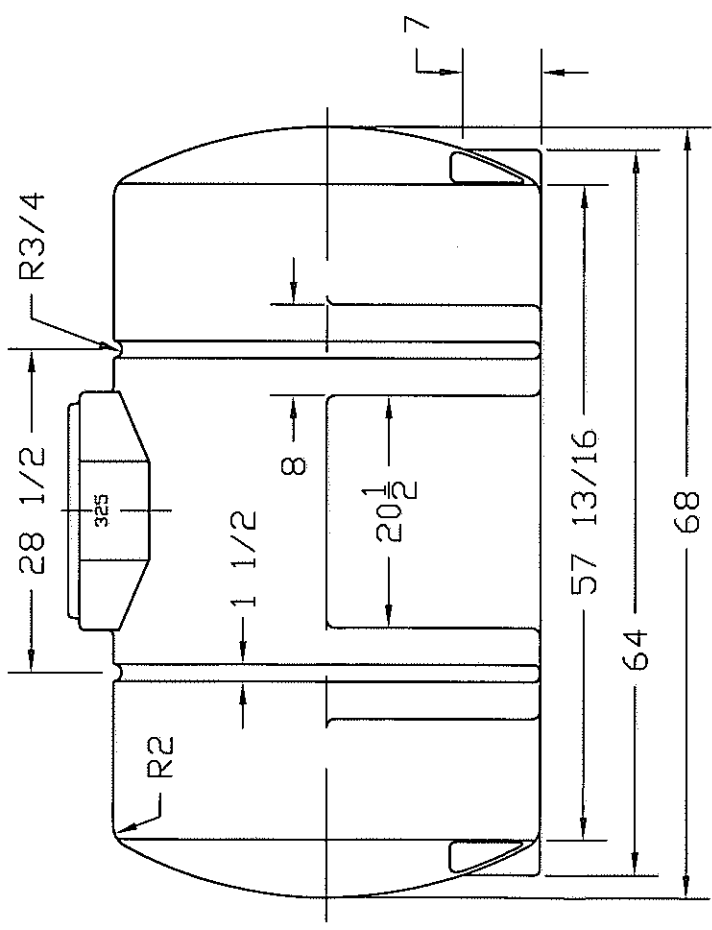


REVISIONS		
ZONE	REV	DATE
	A	14AUG97
DESCRIPTION		APPROVED
A REDRAWN		



NORWESCO
ST. BONIFACIUS, MN

325 GALLON HORIZONTAL
LEG TANK

JTP	14AUG97	SIZE	FSCM NO.	DWG NO.	REV
		A			A
SCALE 1/16				SHEET	

GALLON MARKS BOTH ENDS