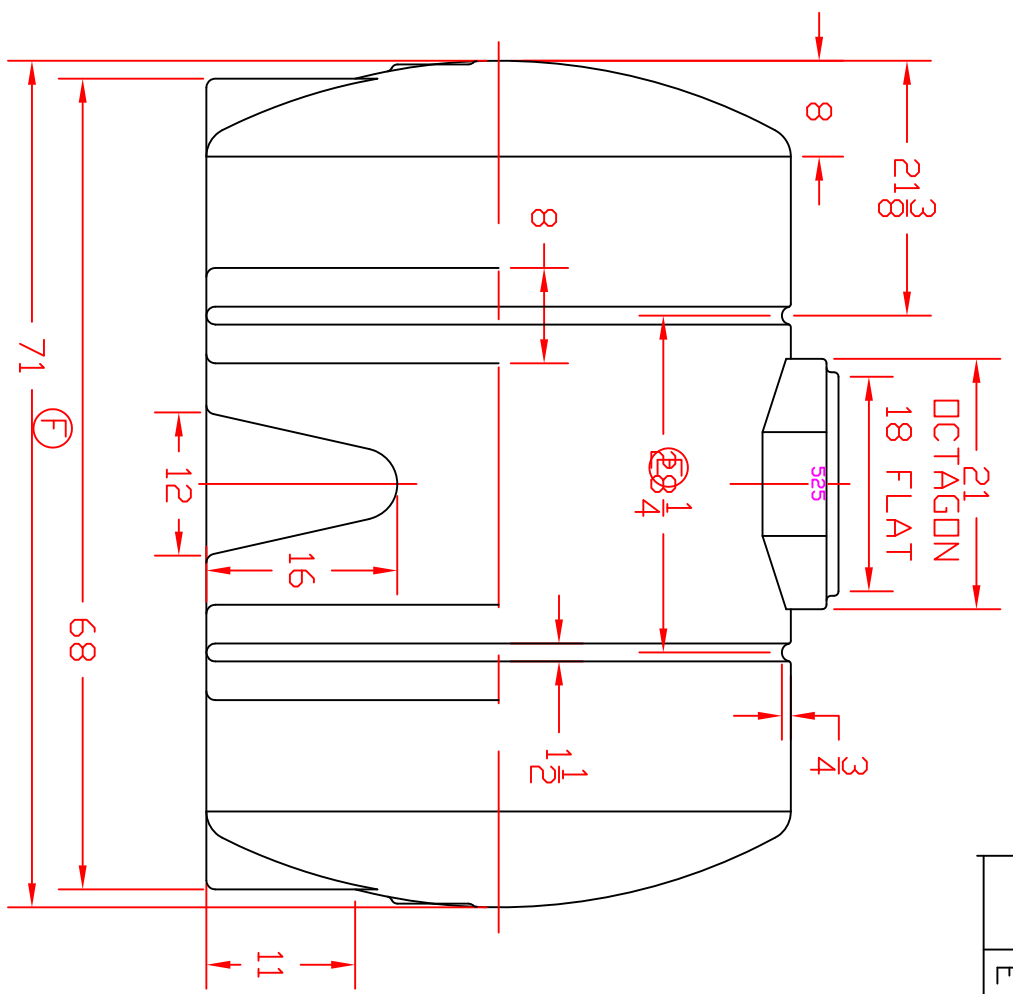


ZONE	REV	DESCRIPTION	DATE
	F	WAS 72 1/2	03DEC04
	G	ADDED SHAWNEE, OK	22JUL09

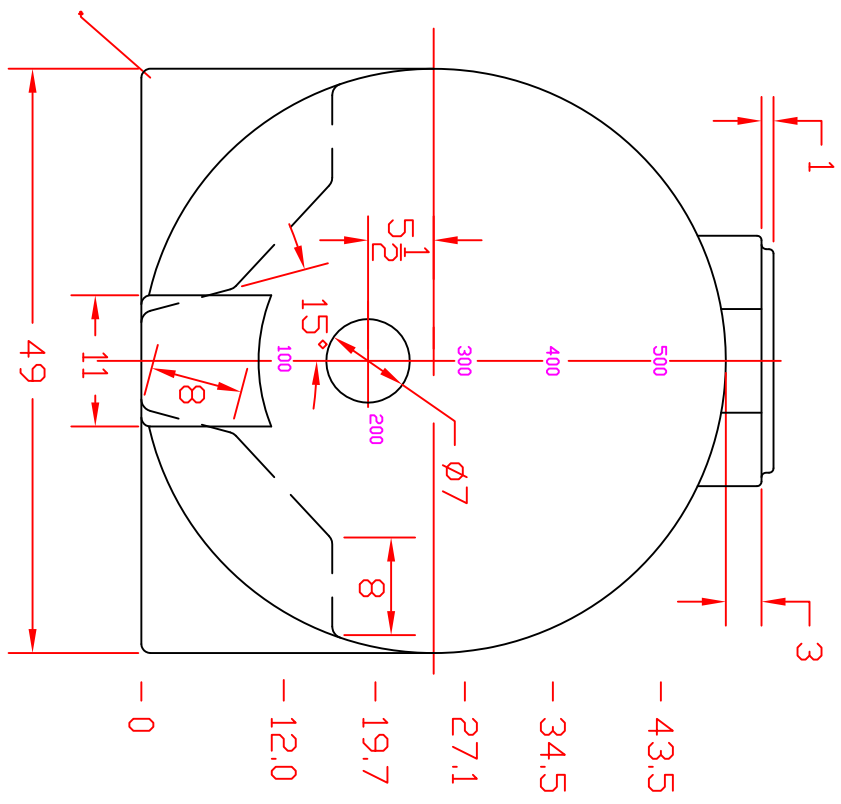
REVISIONS				
ZONE	REV	DESCRIPTION	DATE	APPROVED
	D	REDRAWN, SPARGER REV'D	03MAY01	
	E	CORRECTED, WAS 27-1/2	23SEP02	



NOTE: GALLONAGE MARKS ONE END

ⓐ

FOB GRIFFIN, GA, FAIRFIELD, TX & SHAWNEE, OK



NORWESCO
ST. BONIFACIUS, MN
525 GAL HORIZONTAL TANK

JTP	03MAY01	SIZE	FSCM NO.	DWG NO.	REV
		A			G
SCALE 1/16		SHEET			