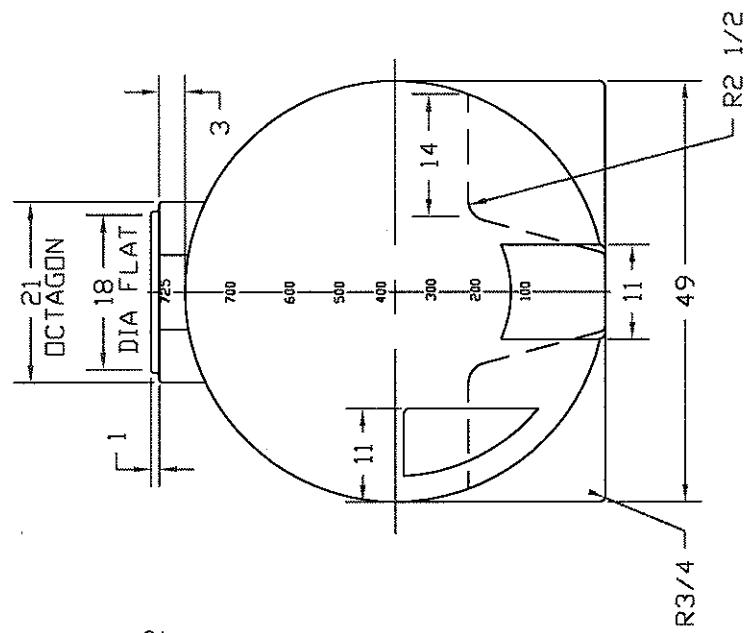
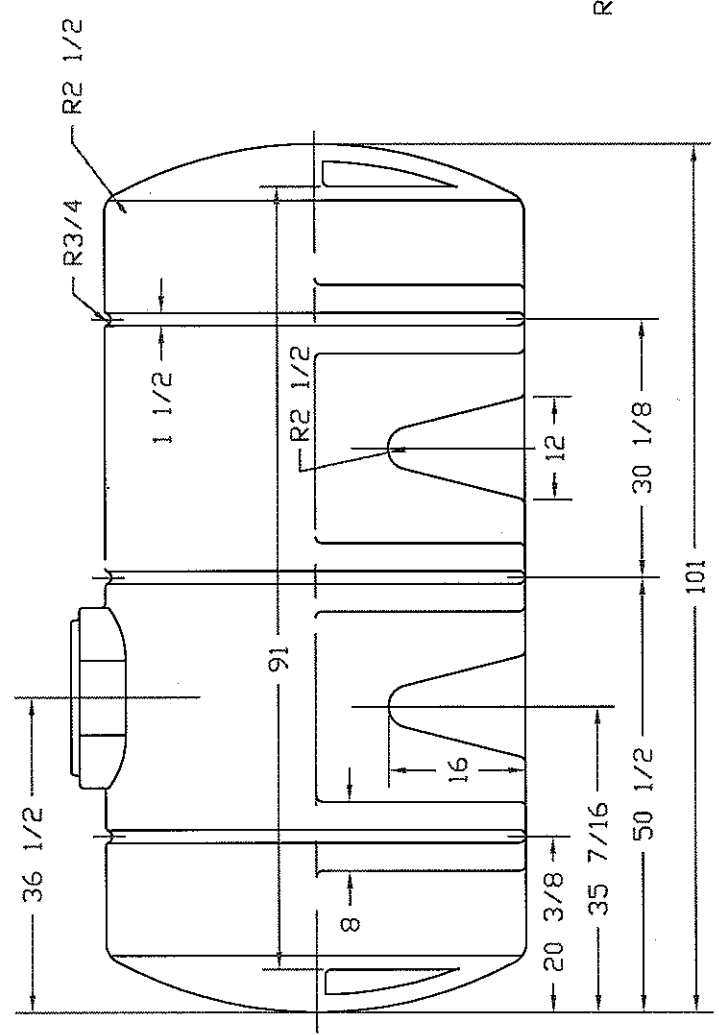


REVISIONS			
ZONE	REV	DESCRIPTION	DATE
	B	REDRAWN	14AUG97



- 43.75
- 36.85
- 31.05
- 26.15
- 20.34
- 15.18
- 9.36
- 0



NORWESCO		ST. BONIFACIUS, MN	
725 GALLON HORIZONTAL		LEG TANK	
JTP	14AUG97	SIZE	FSCM NO.
		B	DWG NO.
			SCALE 1/16
			SHEET

GALLON MARKS BOTH ENDS