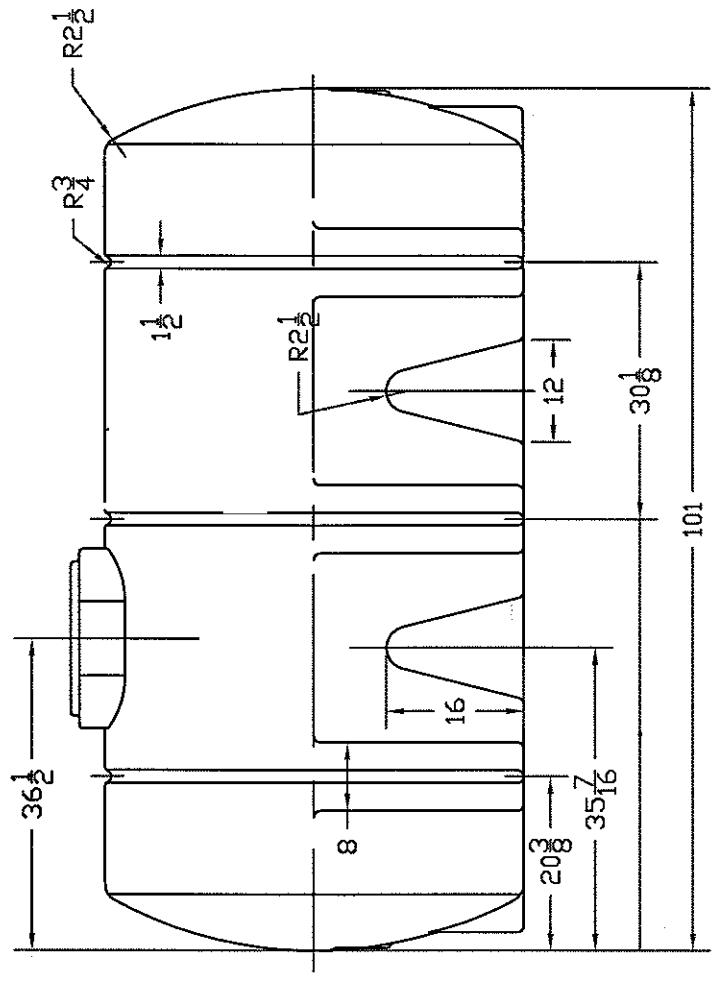
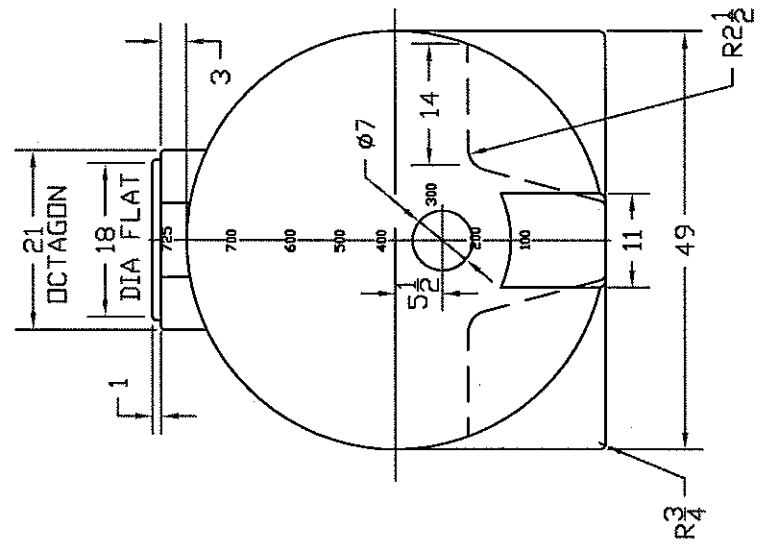


REVISIONS			
ZONE	REV	DESCRIPTION	DATE
	C	REDRWN, SPARGER REV'D	24FEB03
			APPROVED



**NORWESCO**  
 ST. BONIFACIUS, MN  
 725 GALLON HORIZONTAL  
 LEG TANK

JTP 24FEB03 B SIZE FSGM NO. DWG NO. REV C

SCALE 1/16 SHEET

GALLON MARKS ONE END  
 FOB GRIFFIN, GA & LANCASTER, OH