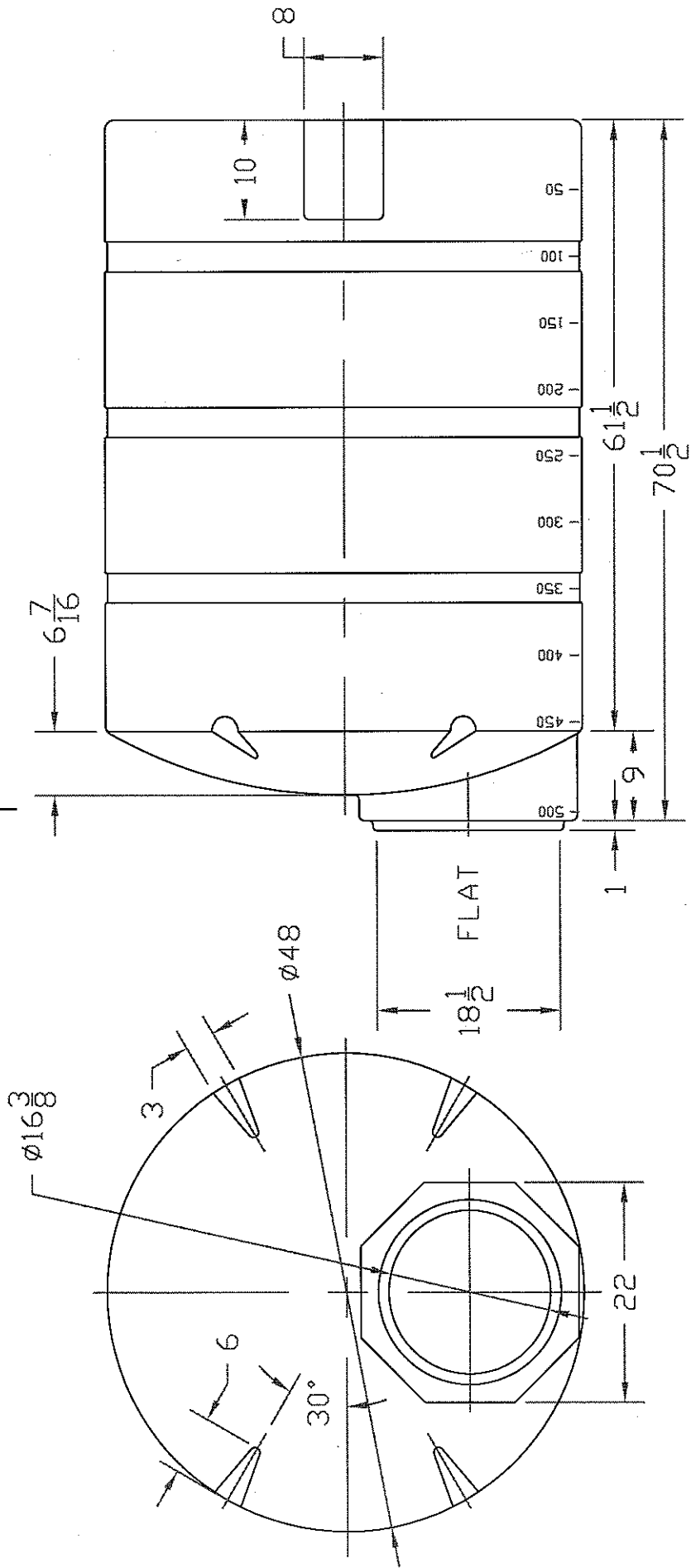


REVISIONS

ZONE	REV	DESCRIPTION	DATE	APPROVED
B	REDRAWN		02 JAN 97	



NORWESCO
ST. BONIFACIUS, MN

500 GALLON VERTICAL TANK

JTP 02JAN97

SIZE A FSCM NO. _____ DWG NO. _____

REV B

SCALE 1/16

SHEET