



Goulds
**High Pressure
Centrifugal
Booster Pump**

MODEL



45HB, 70HB

APPLICATIONS

Wide variety of industrial, commercial and agricultural uses, especially:

- High rise buildings
- Multiple dwelling buildings
- Reverse osmosis systems
- High pressure cleaning
- Spraying systems
- Booster service

SPECIFICATIONS

Pump

- Capacities: to 100 GPM
- Heads: to 760 feet.
- Pipe connections:
Suction 2" NPT
Discharge 2" NPT.
- Temperature: 180°F, 82°C maximum.

- Inlet pressure: 100 PSI maximum.
- Rotation: right hand, i.e., clockwise when viewed from motor end.

Motor

- Open drip-proof or TEFC enclosure
60 Hz, 3500 RPM.
Threaded shaft extension.
- Single phase:
3 HP 115/208–230 V
5 HP 208–230 V
7½ HP 208–230 V.
- Three phase:
3–10 HP 208–230/460 V.

FEATURES

■ **Multi-Stage Design:** This configuration provides a steady, quiet and vibration-free operation for years of trouble-free service.

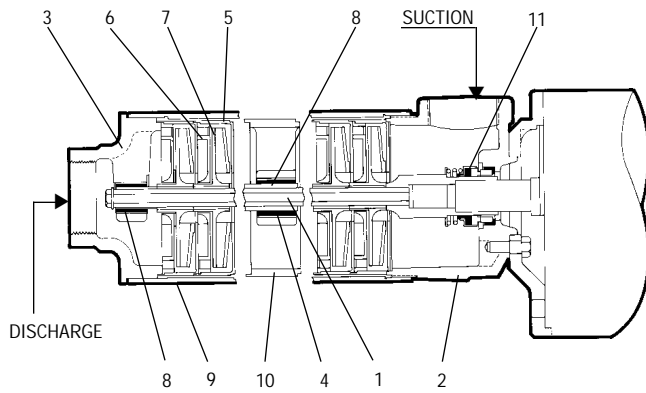
■ **Impellers and Diffusers:** Glass filled thermoplastic. Precision molded for high efficiencies.

■ **Bowls:** Constructed with 300 series stainless steel. Rabbet lock for positive alignment – no gaskets required.

■ **Mechanical Seal:** Carbon/ceramic faces. BUNA elastomers 300 series stainless steel metal parts.

■ **Motor:** Close-coupled design. Ball bearings carry all radial/axial thrust loads. Designed for continuous operation. All ratings are within working limits of the motor.

WARNING: This is a booster pump. It has no lift capability.
DO NOT RUN DRY.
DO NOT DEADHEAD.



Goulds High Pressure Centrifugal Booster Pump

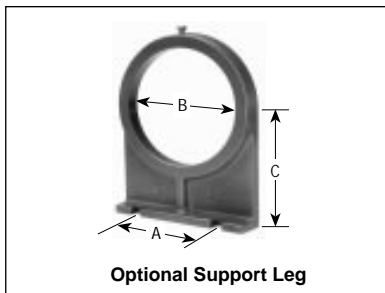
MODEL



45HB, 70HB

COMPONENTS

Item No.	Description	Material
1	Hex shaft and coupling	300 series stainless steel
2	Suction housing	Brass (ASTM B584)
3	Discharge head	Brass (ASTM B584)
4	Shaft sleeve	300 series stainless steel
5	Bowl	300 series stainless steel
6	Diffuser	Glass-filled thermoplastic
7	Impeller	Glass-filled thermoplastic
8	Marine bearing	BUNA
9	Casing	300 series stainless steel
10	Intermediate bearing spider	Brass (ASTM B584)
11	Mechanical seal	Carbon/ceramic faces, BUNA elastomers, 300 series stainless steel metal parts.



OPTIONAL SUPPORT LEG – dimensions (in inches)

Model	Frame	A	B	C
AM200	182/184	4 ¹ / ₈	5 ³ / ₈	4 ¹ / ₂
AM201	213/215	4 ¹ / ₈	5 ³ / ₈	5 ¹ / ₄

NOTE: Support leg is not required for 145 frame motors.

DIMENSIONS – determined by motor (in inches)

Frame	A	AB	B	BG	C	D	E	F	G	H	O
145	6 ¹ / ₂	5 ¹ / ₄	5 ¹⁵ / ₁₆	4 ¹ / ₈	6	3 ¹ / ₂	2 ³ / ₄	2	5 ¹ / ₃₂	1 ¹ / ₃₂	6 ⁵ / ₈
182/184	8 ¹ / ₂	6	6 ¹ / ₂	5 ³ / ₄	9 ⁹ / ₁₆	4 ¹ / ₂	3 ³ / ₄	2 ¹ / ₄	5 ⁵ / ₃₂	1 ¹³ / ₃₂	8 ¹ / ₂
213/215	9 ¹ / ₂	7 ³ / ₈	8	7 ¹ / ₄	9 ¹ / ₁₆	5 ¹ / ₄	4 ¹ / ₄	2 ³ / ₄	7 ¹ / ₃₂	1 ¹³ / ₃₂	10 ³ / ₁₆

(All dimensions are in inches. Do not use for construction purposes.)

MODELS

Order No.	HP	No. of Stages	Phase	Enclosure	Frame	W.E.L.	Wt. (lbs.)
45HB13012	3	3	1	ODP	182	11 ¹ / ₂	88
45HB23012	3	2	1	TEFC	184	10 ³ / ₈	101
45HB13035	3	3	3	ODP	145	11 ¹ / ₂	59
45HB23035	3	2	3	TEFC	182	10 ³ / ₈	83
45HB15013	5	5	1	ODP	184	13 ³ / ₈	100
45HB25013	5	4	1	TEFC	213	12 ³ / ₄	147
45HB15035	5	5	3	ODP	182	13 ³ / ₈	80
45HB25035	5	4	3	TEFC	184	12 ³ / ₄	99
45HB17513	7 ¹ / ₂	7	1	ODP	213	16 ¹ / ₄	169
45HB17535	7 ¹ / ₂	7	3	ODP	184	16 ¹ / ₄	103
45HB27535	7 ¹ / ₂	6	3	TEFC	213	15 ¹ / ₈	150
45HB11135	10	10	3	ODP	213	21 ¹ / ₂	155
45HB21135	10	8	3	TEFC	215	17 ¹ / ₂	190
70HB13012	3	2	1	ODP	182	10 ³ / ₈	86
70HB23012	3	2	1	TEFC	184	10 ³ / ₈	99
70HB13035	3	2	3	ODP	145	10 ³ / ₈	57
70HB23035	3	2	3	TEFC	182	10 ³ / ₈	81
70HB15013	5	4	1	ODP	184	12 ³ / ₄	98
70HB25013	5	3	1	TEFC	213	11 ¹ / ₂	145
70HB15035	5	4	3	ODP	182	12 ³ / ₄	78
70HB25035	5	3	3	TEFC	184	11 ¹ / ₂	97
70HB17513	7 ¹ / ₂	6	1	ODP	213	15 ¹ / ₈	170
70HB17535	7 ¹ / ₂	6	3	ODP	184	15 ¹ / ₈	101
70HB27535	7 ¹ / ₂	5	3	TEFC	213	13 ³ / ₈	148
70HB11135	10	9	3	ODP	213	20 ¹ / ₄	153
70HB21135	10	7	3	TEFC	215	17 ¹ / ₂	188

