

# High-Pressure Multi-stage Booster Pump

**MODEL**

5GB, 7GB, 10GB,  
18GB, 25GB



**FEATURES**

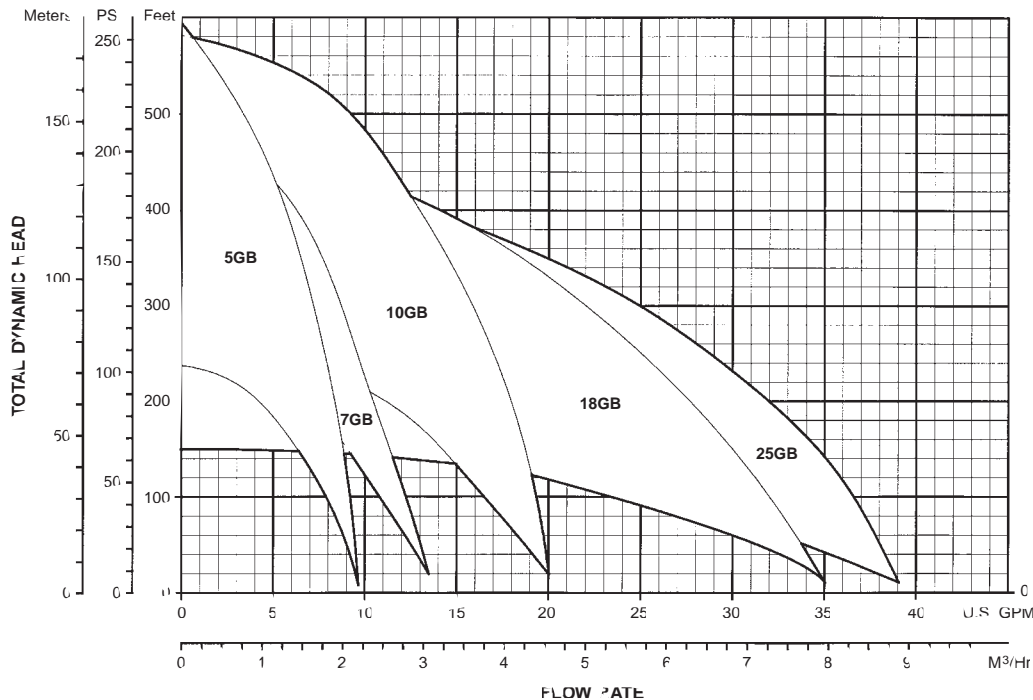
- **Multi-stage Design:** Provides steady, quiet, vibration free, operation.
- **Optional Stainless Steel Construction:** Standard cast iron for general service or stainless for filtration applications.
- **O-ring Casing Seal:** Reliable high pressure sealing with easy disassembly for maintenance or repair.
- **Impellers and Diffusers:** Glass filled engineered composite material with floating impeller design. High resistance to corrosion and abrasion.
- **Bowls:** 300 stainless steel rabbit lock for positive alignment with no gaskets required.

- **Variable Capacity:** Centrifugal pump design permits selection of flow within a range for each size.
- **Mechanical Seal:** A variety of face materials and elastomers to match application needs.
- **Motors:** Close coupled NEMA 56J motors in open drip proof or totally enclosed design. Single phase and three phase available. Ball bearings carry all radial and axial thrust loads. Designed for continuous operation.

**APPLICATIONS**

- Residential, commercial or agricultural pressure wash
- Reverse osmosis
- Evaporative cooling systems/misters
- Booster Service
- Spray systems
- Water circulation
- Filtration
- HVAC
- General purpose pumping

PERFORMANCE COVERAGE 3500 RPM



Goolds Pumps is ISO 9001 Registered.

## GB NUMBERING SYSTEM

The various versions of the Series GB are identified by a product code number on the pump label. This number is also the catalog number for the pump. The meaning of each digit in the product code number is shown below. The following are the standard product numbers and are built with Single Phase ODP motors and standard staging and seal options.

Order No.		Description				
Cast Iron	Stainless	HP	Phase	Voltage	Enclosure	Stages
5GBC03	5GBS03	1/3	1	115-230	ODP	7
5GBC05	5GBS05	1/2				9
5GBC07	5GBS07	3/4				14
5GBC10	5GBS10	1				17
7GBC05	7GBS05	1/2				9
7GBC07	7GBS07	3/4				13
7GBC10	7GBS10	1				16
10GBC07	10GBS07	3/4				8
10GBC10	10GBS10	1				10
10GBC15	10GBS15	1 1/2				15
10GBC20	10GBS20	2				17

Order No.		Description				
Cast Iron	Stainless	HP	Phase	Voltage	Enclosure	Stages
18GBC07	18GBS07	3/4	1	115-230	ODP	5
18GBC10	18GBS10	1				7
18GBC15	18GBS15	1 1/2				9
18GBC20	18GBS20	2				13
18GBC30	18GBS30	3				15
25GBC07	25GBS07	3/4				5
25GBC10	25GBS10	1				7
25GBC15	25GBS15	1 1/2				9
25GBC20	25GBS20	2				10
25GBC30	25GBS30	3				14

## GB NUMBERING SYSTEM

For optional motor enclosures, seals, and three phase configurations use the following product code system.

### Example Code

5 GB C 05 1 5 J 0

#### MECHANICAL SEAL AND O-RING

0 = Standard on Cast Iron and 4 = Standard on Stainless Steel.

For Optional Mechanical Seal modify catalog order no. with Seal code listed below.

John Crane Mechanical Seal (5/8" seal)						
Seal Code	Rotary	Stationary	Elastomers	Metal Parts	Part No.	Casing O-Ring
0	Teepelite	Ceramic	BUNA	18-8SS	10K2	BUNA
2	Carbon			Sil-Carbon	EPR	
3		10K18	EPR			
4		Ceramic	Viton			10K24

#### NUMBER OF STAGES

A = 1    D = 4    G = 7    K = 10    N = 13    R = 16    U = 19    X = 22  
 B = 2    E = 5    H = 8    L = 11    P = 14    S = 17    V = 20    Y = 23  
 C = 3    F = 6    J = 9    M = 12    O = 15    Y = 18    W = 21    Z = 24

#### DRIVER

1 = 1 PH, ODP                      4 = 1 PH, TEFC  
 2 = 3 PH, ODP                    5 = 3 PH, TEFC  
 3 = 3 PH, 575V ODP

#### DRIVER: HERTZ/POLE/RPM

1 = 60 HZ, 2 pole, 3500 RPM

#### HP RATING

03 = 1/3 HP                      10 = 1 HP  
 05 = 1/2 HP                    20 = 2 HP  
 07 = 3/4 HP                    30 = 3 HP

#### MATERIAL - DISCHARGE, HEAD AND SUCTION HOUSING

C = Cast Iron  
 S = Stainless Steel

#### PUMP MODEL

GB

#### GALLONS PER MINUTE

5            7            10  
 18           25

**Note:** Not recommended for operation beyond recommended range specified on H-Q curve.

For critical application conditions consult factory.

**Note:** Not all combinations of motor, impeller and seal options are available for every pump model. Please check with Goulds on non-cataloged numbers.



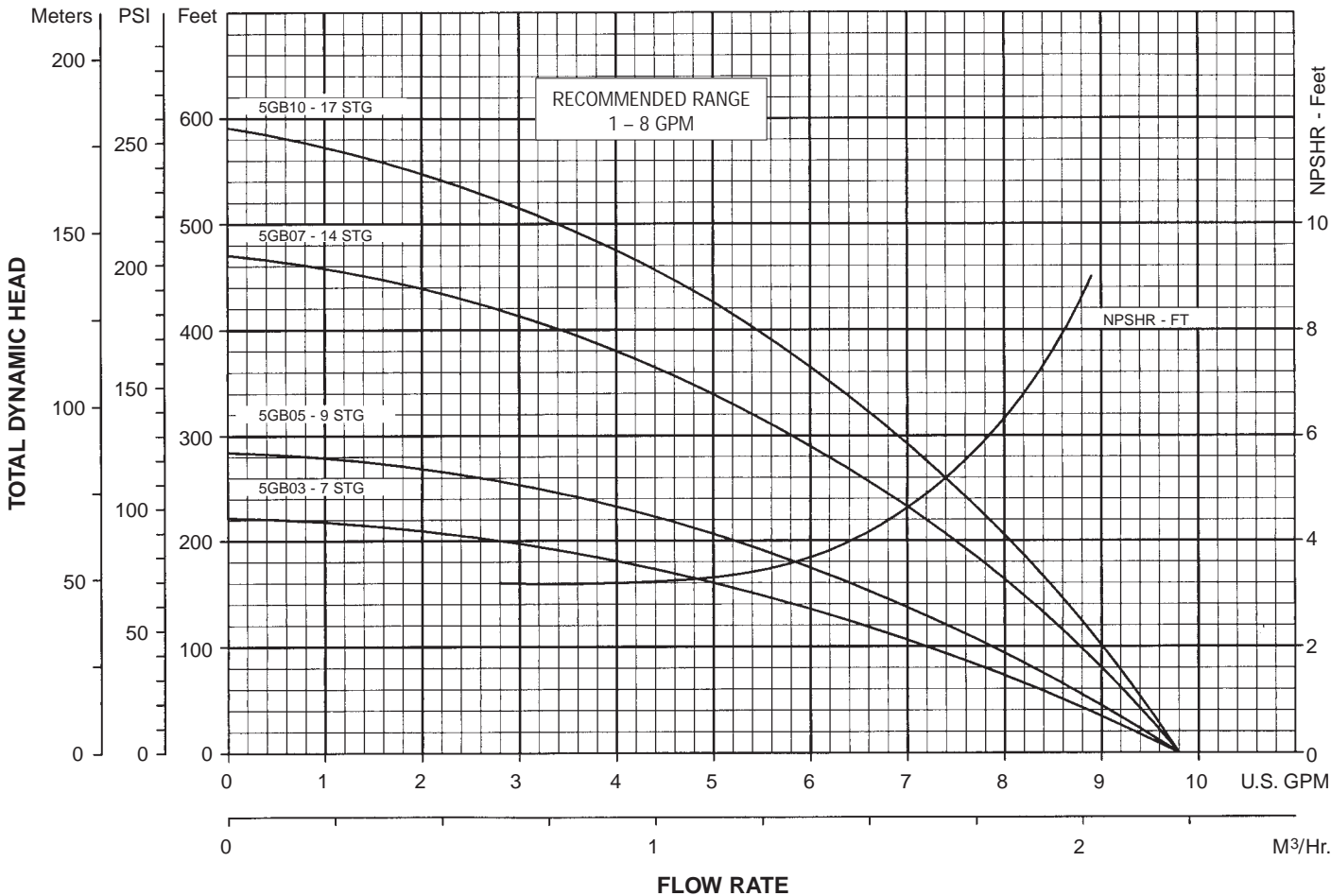
## SPECIFICATIONS

### Pump:

- Capacities: to 8 GPM.
- Heads: to 600 ft. (260 PSI).
- Pipe Connections: 1" NPT Suction and Discharge.
- Maximum flow: 8 GPM.
- Minimum flow: 1 GPM.
- Maximum suction (inlet) pressure: 75 PSI.
- Maximum Liquid Temperature: 160°F (71°C).
- Rotation: Clockwise when viewed from motor end.
- Maximum lift with foot valve: 10 ft. check NPSH Curve.

### Motor:

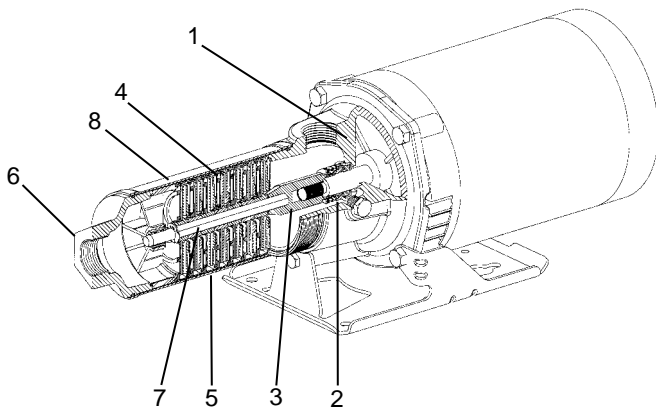
- NEMA standard 56J frame.
  - Open DRIP proof or totally enclosed fan cooled enclosures available as standard. Consult factory for other options.
  - 60 Hz, 3500 RPM, single phase 115/230 V or three phase 208-230/460 V.
  - Single phase motors have built in capacitor and overload with automatic reset.
- Note:** For three phase motors, overload protection must be provided in starter unit. Starter and heaters must be ordered separately.



# High-Pressure Multi-stage Booster Pump

MODEL

## 5GB



### MATERIALS OF CONSTRUCTION

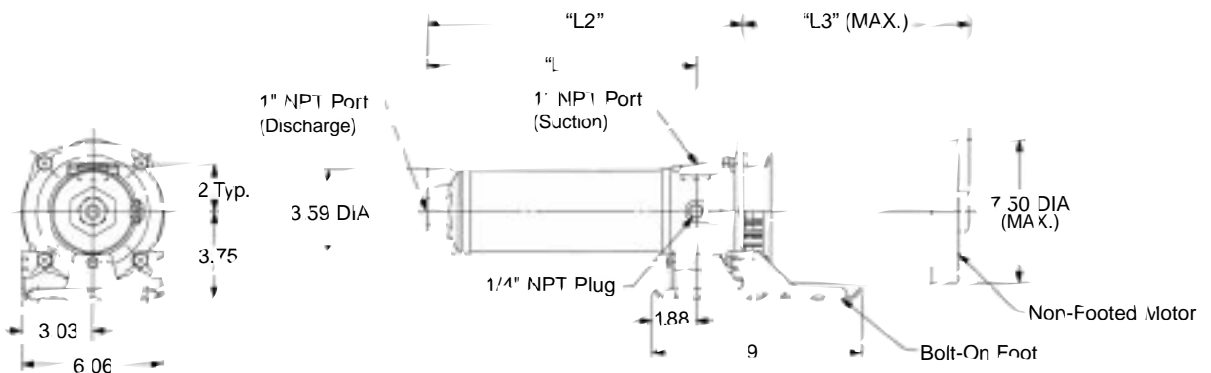
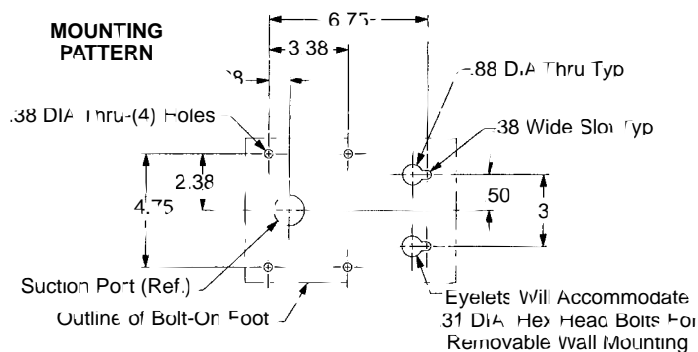
Item	Description	Material
1	Motor Adapter	Cast Iron or Cast 304 Stainless Steel
2	Mechanical Seal	0=Teepelite/Ceramic/BUNA 2=Carbon/Ceramic/BUNA 3=Carbon/Silcar/EPR 4=Carbon/Ceramic/Viton
3	Shaft Coupling	Stainless Steel
4	Impeller/Diffuser	Engineered Composite
5	Bowl	304 Stainless Steel
6	Discharge Head	Cast Iron or Cast 304 Stainless Steel
7	Hex Shaft	Stainless Steel
8	Casing	304 Stainless Steel

### DIMENSIONS AND WEIGHTS

Model	Stages	L1 Approx.	L2 Approx.	HP	L3 Max.	Max. Wt. lbs.
5GB03	7	9.19	11.19	1/3	10.5	41
5GB05	9	10.62	12.62	1/2	10.5	41
5GB07	14	15.12	17.12	3/4	10.62	46
5GB10	17	17.12	19.12	1	11.25	50

### Warnings:

- Pumps used on open spray applications must be plugged into electrical service which is protected by a Ground Fault Service Interrupter. Failure to do so may result in serious personal injury or death and property damage.
- Do not run pump dry.
- Do not run pump below minimum flow.
- If positive suction pressure is not available, be sure pump and suction line (with foot valve) are primed before starting pump.





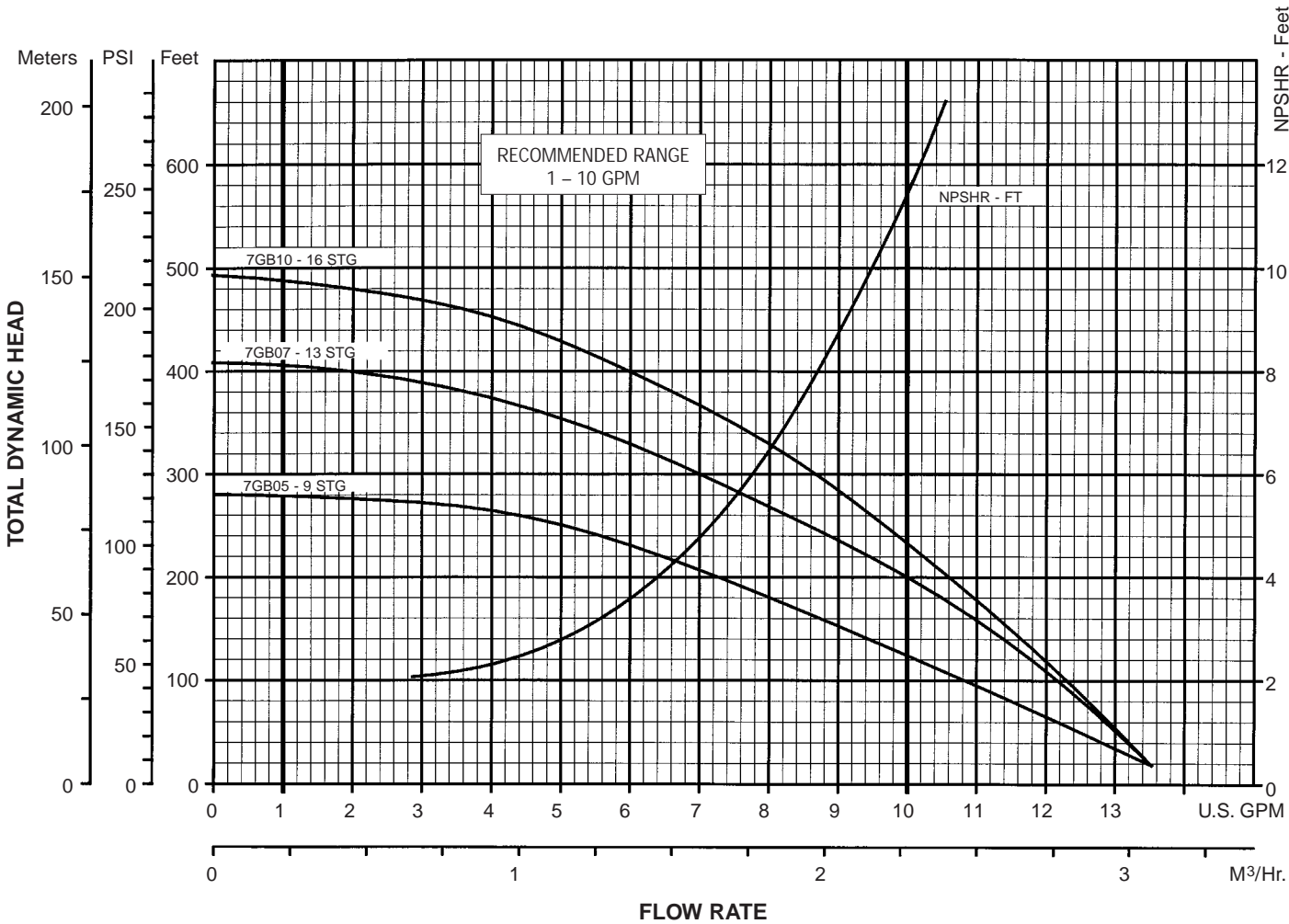
**SPECIFICATION**

**Pump:**

- Capacities: to 10 GPM.
- Heads: to 500 ft. (216 PSI).
- Pipe Connections: 1" NPT Suction and Discharge.
- Maximum flow: 10 GPM.
- Minimum flow: 1 GPM.
- Maximum Suction (Inlet) Pressure: 75 PSI.
- Maximum Liquid Temperature: 160°F (71°C).
- Rotation: Clockwise when viewed from motor end.
- Maximum lift with foot valve: 10 ft. (check NPSH curve).

**Motor:**

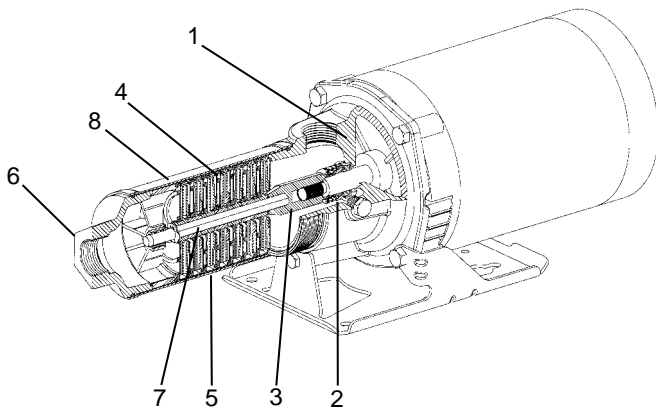
- NEMA Standard: 56J frame
- Open drip proof or totally enclosed fan cooled enclosures available as standard. Consult factory for other options.
- 60 HZ, 3500 RPM, single phase (115/230 V) or three phase (208-230/460 V).
- Single phase motors have built in capacitor and over-load with automatic resets.



# High-Pressure Multi-stage Booster Pump

MODEL

## 7GB



### MATERIALS OF CONSTRUCTION

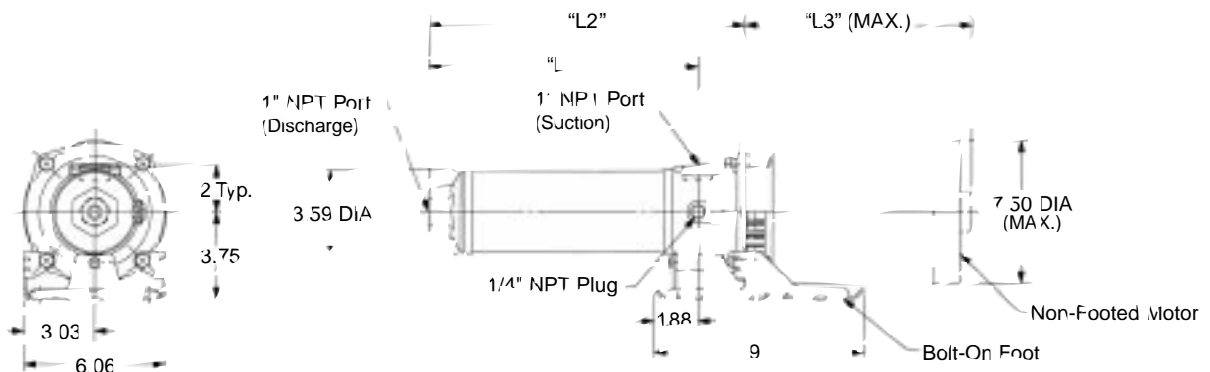
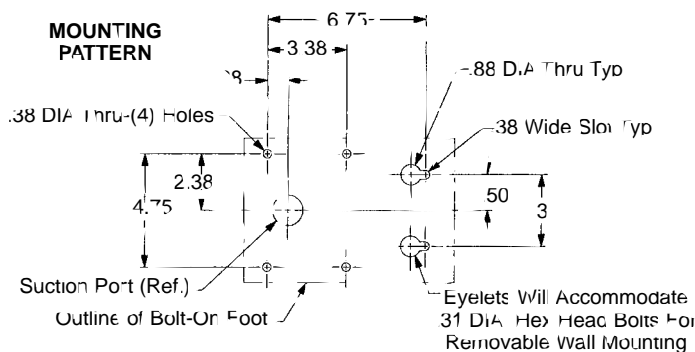
Item	Description	Material
1	Motor Adapter	Cast Iron or Cast 304 Stainless Steel
2	Mechanical Seal	0=Teepelite/Ceramic/BUNA 2=Carbon/Ceramic/BUNA 3=Carbon/Silcar/EPR 4=Carbon/Ceramic/Viton
3	Shaft Coupling	Stainless Steel
4	Impeller/Diffuser	Engineered Composite
5	Bowl	304 Stainless Steel
6	Discharge Head	Cast Iron or Cast 304 Stainless Steel
7	Hex Shaft	Stainless Steel
8	Casing	304 Stainless Steel

### DIMENSIONS AND WEIGHTS

Model	Stages	L1 Approx.	L2 Approx.	HP	L3 Max.	Max. Wt. lbs.
7GB05	9	11.88	13.88	1/2	10.5	41
7GB07	13	14.44	16.44	3/4	10.62	46
7GB10	16	16.88	18.88	1	11.25	50

### Warnings:

- Pumps used on open spray applications must be plugged into electrical service which is protected by a Ground Fault Service Interrupter. Failure to do so may result in serious personal injury or death and property damage.
- Do not run pump dry.
- Do not run pump below minimum flow.
- If positive suction pressure is not available, be sure pump and suction line (with foot valve) are primed before starting pump.





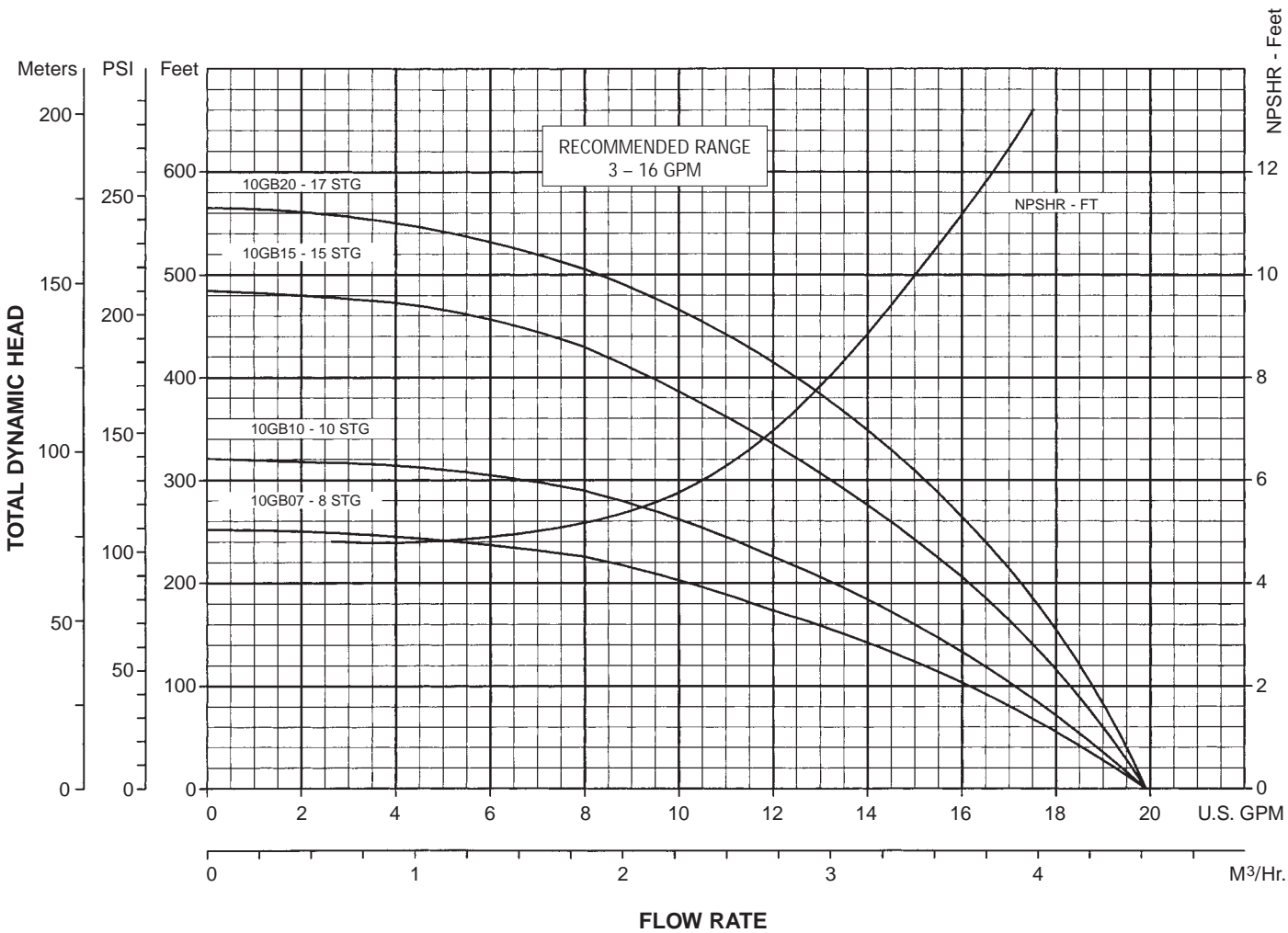
**SPECIFICATIONS**

**Pump:**

- Capacities: to 16 GPM
- Heads: to 500 ft. (180 PSI)
- Pipe Connections: 1" NPT
- Maximum flow: 16 GPM.
- Minimum flow: 3 GPM
- Maximum Liquid Temperature: 160°F (71°C)
- Rotation: Clockwise when viewed from motor end.
- Maximum lift with foot valve: 10 ft. Check NP5H curve.

**Motors:**

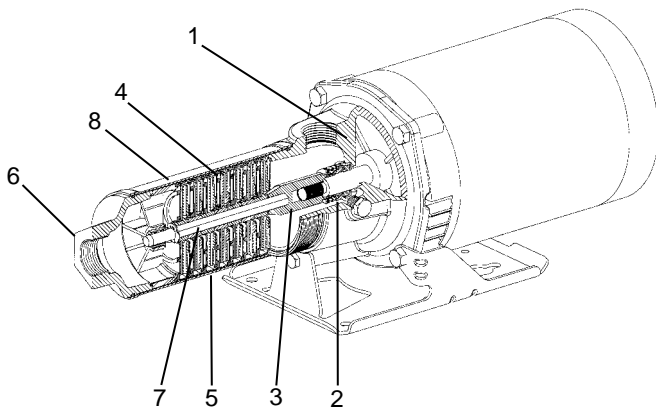
- NEMA standard 56J frame
- Open Drip proof or totally enclosed fan cooled enclosures
- 60 Hz, 3500 RPM single phase 115/230 V or three phase 208-230/460 V.
- Single phase motors have built in capacitor and overload with automatic reset.
- Three phase units require separate starters.



# High-Pressure Multi-stage Booster Pump

MODEL

# 10GB



## MATERIALS OF CONSTRUCTION

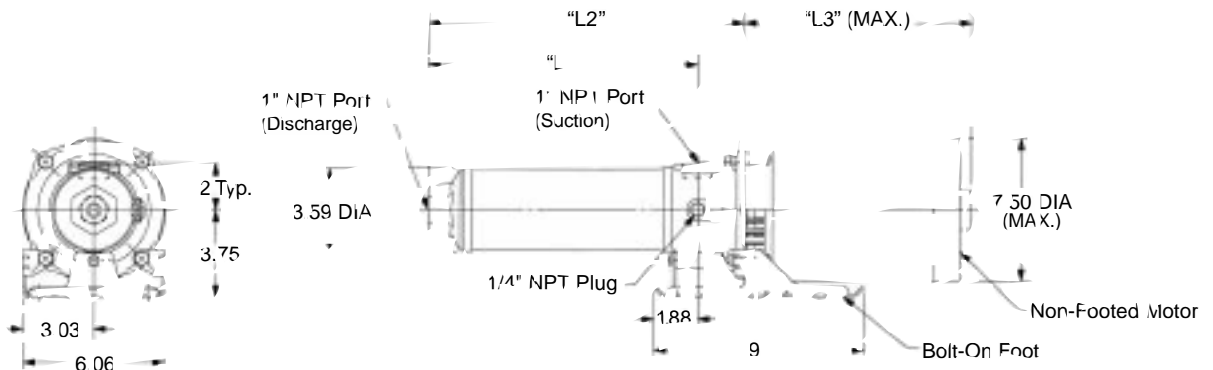
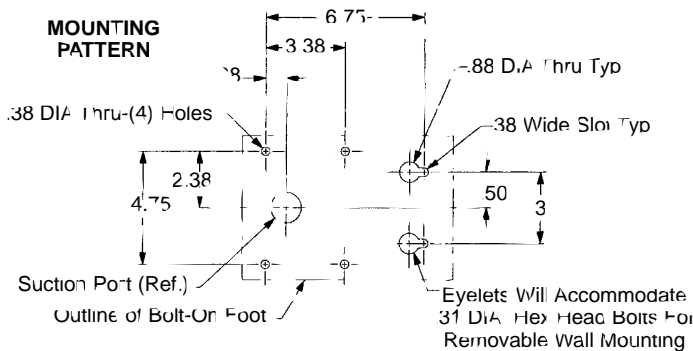
Item	Description	Material
1	Motor Adapter	Cast Iron or Cast 304 Stainless Steel
2	Mechanical Seal	0=Teepelite/Ceramic/BUNA 2=Carbon/Ceramic/BUNA 3=Carbon/Silcar/EPR 4=Carbon/Ceramic/Viton
3	Shaft Coupling	Stainless Steel
4	Impeller/Diffuser	Engineered Composite
5	Bowl	304 Stainless Steel
6	Discharge Head	Cast Iron or Cast 304 Stainless Steel
7	Hex Shaft	Stainless Steel
8	Casing	304 Stainless Steel

## DIMENSIONS AND WEIGHTS

Model	Stages	L1 Approx.	L2 Approx.	HP	L3 Max.	Max. Wt. lbs.
10GB07	8	10.94	12.94	3/4	10.62	46
10GB010	10	12.31	14.31	1	11.25	50
10GB015	15	15.81	17.81	1 1/2	11.31	47
10GB20	17	17.19	19.19	2	12.06	67

### Warnings:

- Pumps used on open spray applications must be plugged into electrical service which is protected by a Ground Fault Service Interrupter. Failure to do so may result in serious personal injury or death and property damage.
- Do not run pump dry.
- Do not run pump below minimum flow.
- If positive suction pressure is not available, be sure pump and suction line (with foot valve) are primed before starting pump.







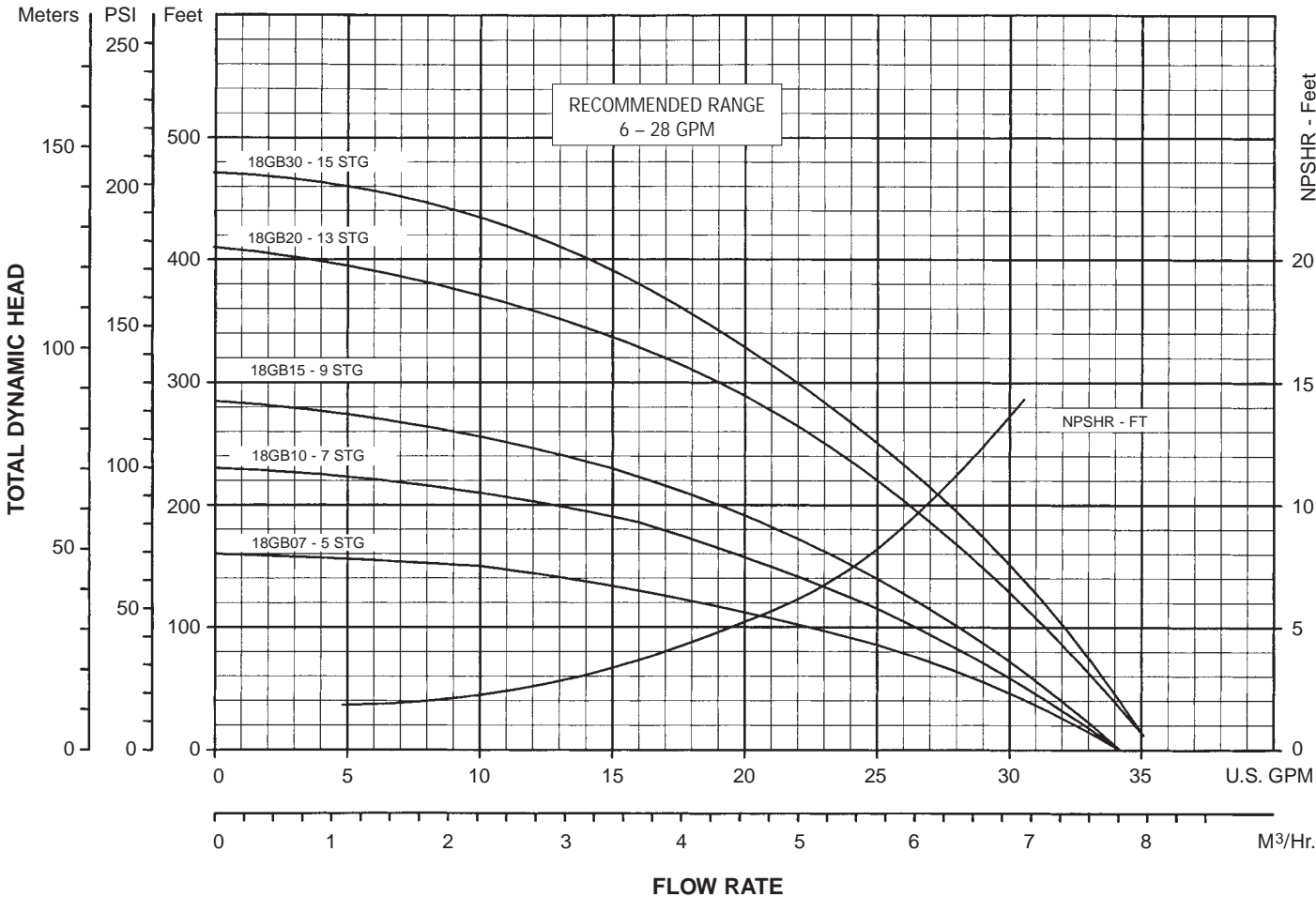
**SPECIFICATIONS**

**Pump:**

- Capacities: to 28 GPM
- Heads: to 470 ft. (205 PSI)
- Pipe Connections: 1" NPT
- Maximum flow: 28 GPM.
- Minimum flow: 6 GPM
- Maximum suction (Inlet) Pressure: 75 PSI
- Maximum Liquid Temperature: 160°F (71°C)
- Rotation: Clockwise when viewed from motor end.
- Maximum lift with foot valve: 10 ft. Check NPSH curve.

**Motors:**

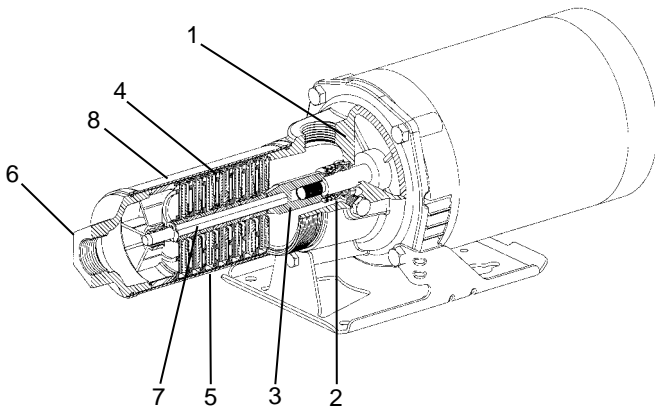
- NEMA standard 56J frame
- Open Drip proof or totally enclosed fan cooled enclosures available as standard. Consult factory for other options.
- 60 Hz, 3500 RPM single phase 115/230 V or three phase 208-230 (3 HP, 230 V) or three phase 208-230/460 V.
- Single phase motors have built in capacitor and overload with automatic reset.
- Three phase units require separate starters.



# High-Pressure Multi-stage Booster Pump

MODEL

## 18GB



### MATERIALS OF CONSTRUCTION

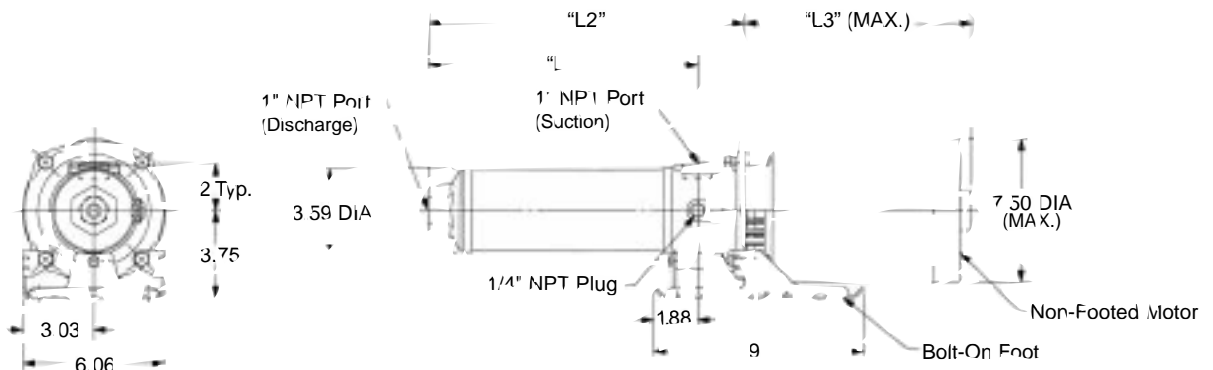
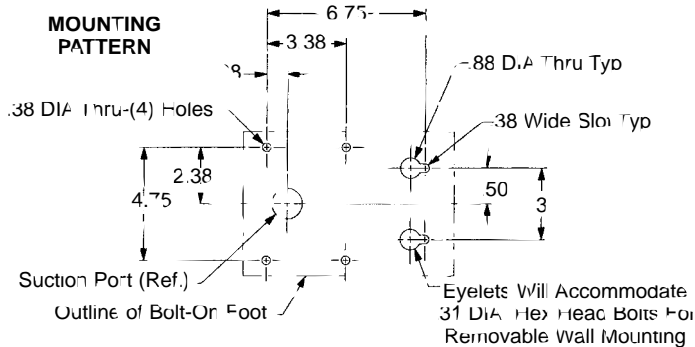
Item	Description	Material
1	Motor Adapter	Cast Iron or Cast 304 Stainless Steel
2	Mechanical Seal	0=Teepelite/Ceramic/BUNA 2=Carbon/Ceramic/BUNA 3=Carbon/Silcar/EPR 4=Carbon/Ceramic/Viton
3	Shaft Coupling	Stainless Steel
4	Impeller/Diffuser	Engineered Composite
5	Bowl	304 Stainless Steel
6	Discharge Head	Cast Iron or Cast 304 Stainless Steel
7	Hex Shaft	Stainless Steel
8	Casing	304 Stainless Steel

### DIMENSIONS AND WEIGHTS

Model	Stages	L1 Approx.	L2 Approx.	HP	L3 Max.	Max. Wt. lbs.
18GB07	5	9.69	11.69	3/4	10.62	46
18GB010	7	11.38	13.38	1	11.25	50
18GB015	9	13.12	15.12	1 1/2	11.31	47
18GB20	13	16.50	18.50	2	12.06	67
18GB30	15	18.25	20.25	3	13.03	69

### Warnings:

- Pumps used on open spray applications must be plugged into electrical service which is protected by a Ground Fault Service Interrupter. Failure to do so may result in serious personal injury or death and property damage.
- Do not run pump dry.
- Do not run pump below minimum flow.
- If positive suction pressure is not available, be sure pump and suction line (with foot valve) are primed before starting pump.





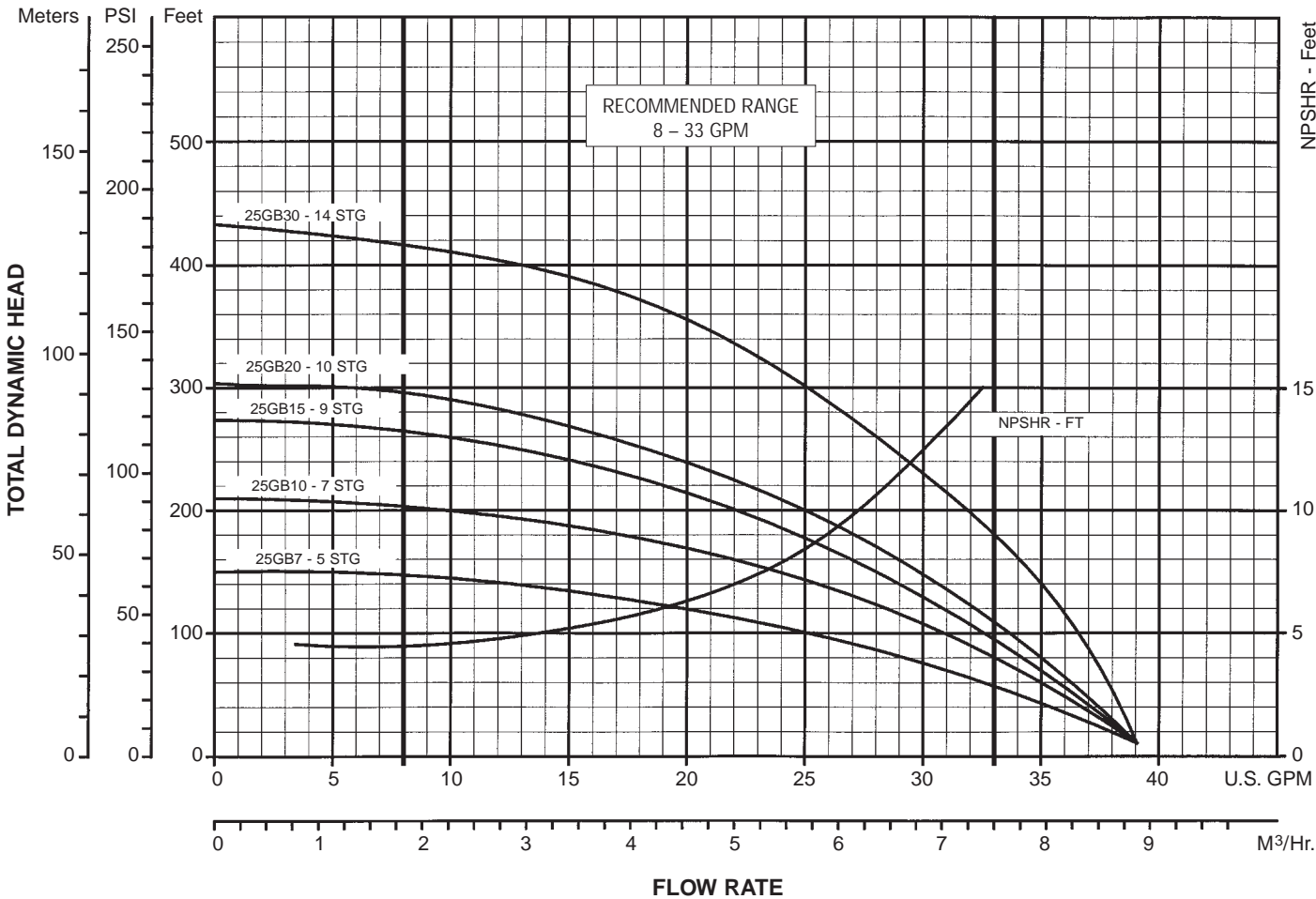
**SPECIFICATIONS**

**Pump:**

- Capacities: to 33 GPM
- Heads: to 430 ft. (190 PSI)
- Pipe Connections: 1" NPT
- Maximum flow: 33 GPM.
- Minimum flow: 8 GPM
- Maximum suction (Inlet) Pressure: 75 PSI
- Maximum Liquid Temperature: 160°F (71°C)
- Rotation: Clockwise when viewed from motor end.
- Maximum lift with foot valve: 10 ft. Check NPSH curve.

**Motors:**

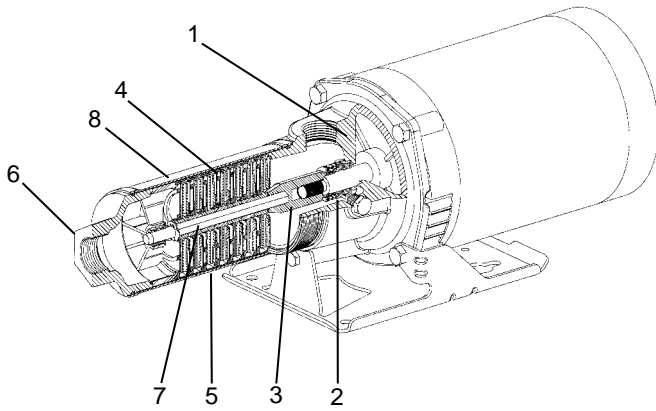
- NEMA standard 56J frame
- Open Drip proof or totally enclosed fan cooled enclosures available as standard. Consult factory for other options.
- 60 Hz, 3500 RPM single phase 115/230 V or three phase 208-230 (3 HP, 230 V) or three phase 208-230/460 V.
- Single phase motors have built in capacitor and overload with automatic reset.
- Three phase units require separate starters.



# High-Pressure Multi-stage Booster Pump

MODEL

## 25GB



### MATERIALS OF CONSTRUCTION

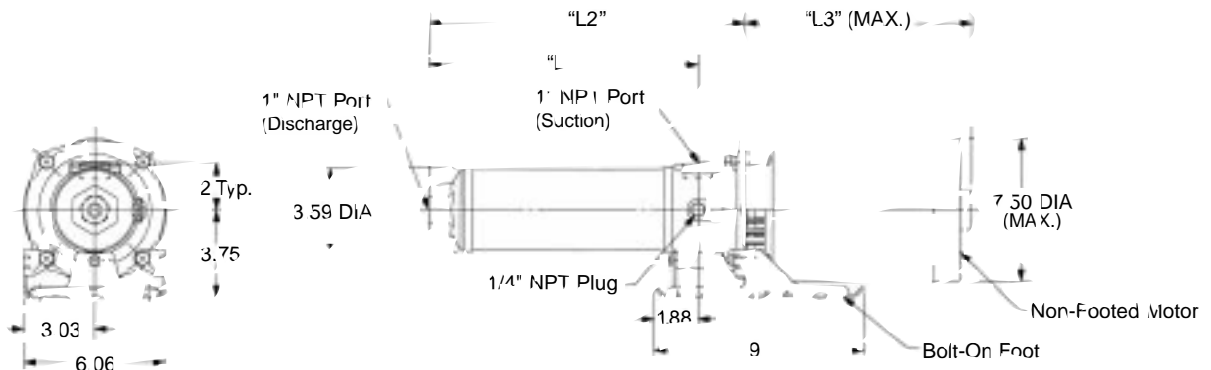
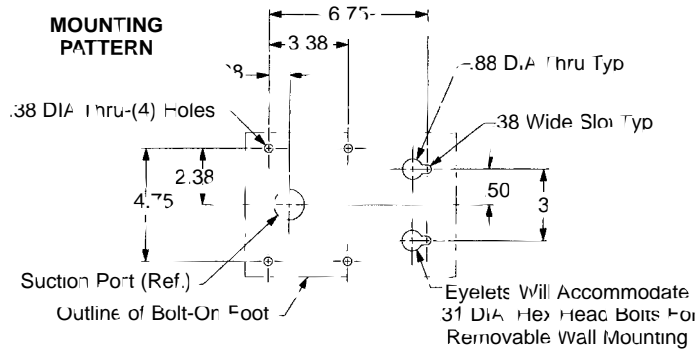
Item	Description	Material
1	Motor Adapter	Cast Iron or Cast 304 Stainless Steel
2	Mechanical Seal	0=Teepelite/Ceramic/BUNA 2=Carbon/Ceramic/BUNA 3=Carbon/Silcar/EPR 4=Carbon/Ceramic/Viton
3	Shaft Coupling	Stainless Steel
4	Impeller/Diffuser	Engineered Composite
5	Bowl	304 Stainless Steel
6	Discharge Head	Cast Iron or Cast 304 Stainless Steel
7	Hex Shaft	Stainless Steel
8	Casing	304 Stainless Steel

### DIMENSIONS AND WEIGHTS

Model	Stages	L1 Approx.	L2 Approx.	HP	L3 Max.	Max. Wt. lbs.
25GB07	5	10.12	12.12	3/4	10.62	46
25GB10	7	12.00	14.00	1	11.25	50
25GB15	9	13.88	15.88	1 1/2	11.31	47
25GB20	10	14.81	16.81	2	13.03	67
25GB30	14	18.56	20.56	3	13.03	69

### Warnings:

- Pumps used on open spray applications must be plugged into electrical service which is protected by a Ground Fault Service Interrupter. Failure to do so may result in serious personal injury or death and property damage.
- Do not run pump dry.
- Do not run pump below minimum flow.
- If positive suction pressure is not available, be sure pump and suction line (with foot valve) are primed before starting pump.



## HOSE



**AM3-5-Discharge Hose**  
 $\frac{3}{4}$ " male x  $\frac{3}{4}$ " female, 250 PSI hose, 40 ft. section, flexible.

**AM4-Suction Hose**  
 $\frac{3}{4}$ " female x  $\frac{3}{4}$ " female, 150 PSI hose, 4 ft. section flexible.

## HANDLE



**4K452**  
 Formed carbon steel handle is standard on 7GB Water Gun and can be ordered separately for use on other sizes.

## PRESSURE GUN

**AM2**



Designed for use with Water-Gun. Nozzle passes approximately 5.7 GPM at 140 lbs. pressure and provides a most effective angle spray.

**AM2-2**



## PIPE ADAPTER



**AM5-1**  
 $\frac{3}{4}$ " male HT x 1" male NPT hose to pipe adapter, stainless steel. Converts suction and discharge to  $\frac{3}{4}$ " male NPT hose.

## WAND EXTENSION

**AM13-1 (32")**

Aluminum spray wand extension,  $\frac{1}{4}$ " male x  $\frac{1}{4}$ " female. (Accepts nozzle in one end; other end fits into AM2 pressure gun.)



## NOZZLE ASSORTMENT



**AM7**  
 Includes one 2 GPM rate 15° nozzle, one 3 GPM rated 15° nozzle and one 3 GPM rated 0° nozzle.

# Notes

---

