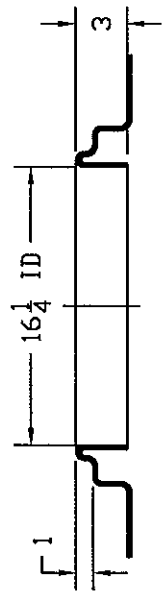
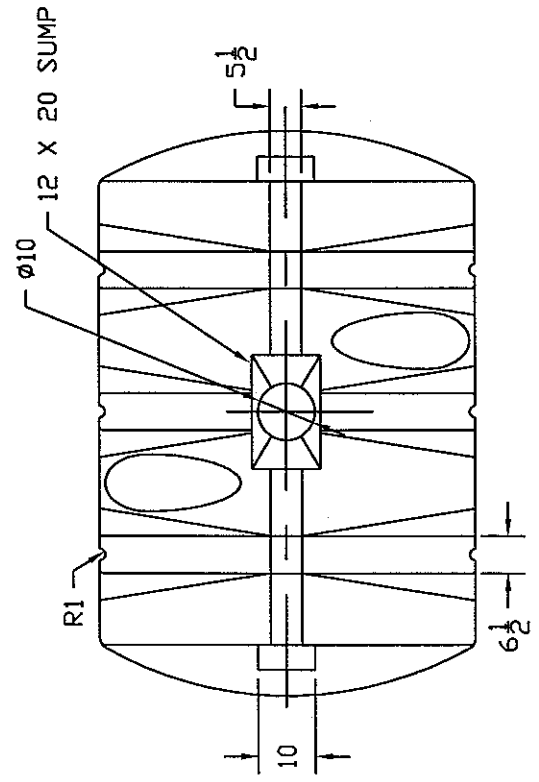
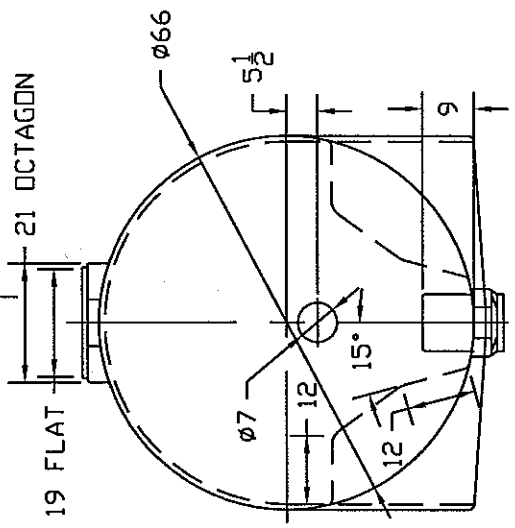
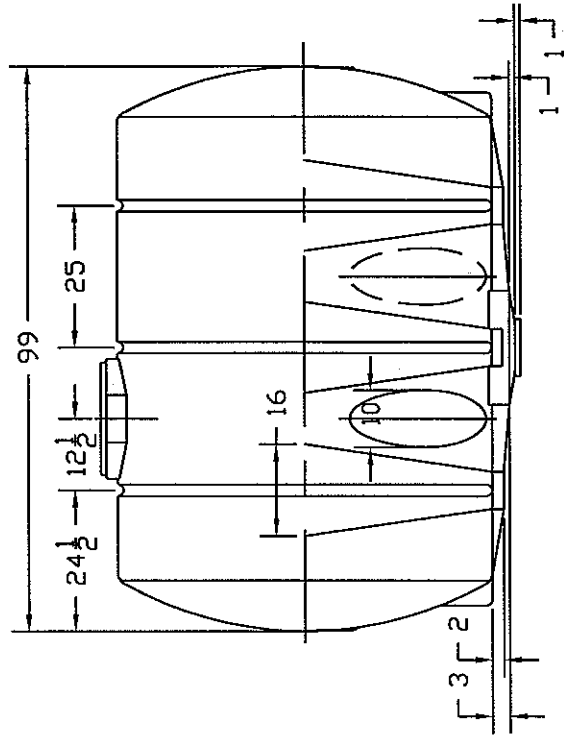


REVISIONS			DATE	APPROVED
ZONE	REV	DESCRIPTION		



FILLWELL DETAIL - 1/8" SCALE

NORWESCO		ST. BONIFACIUS, MN	
1310 GALLON DRAINABLE		HORIZONTAL TANK	
SIZE	FSCM NO.	DWG NO.	REV
JTP	04AUG03	B	
SCALE 1/24		SHEET	