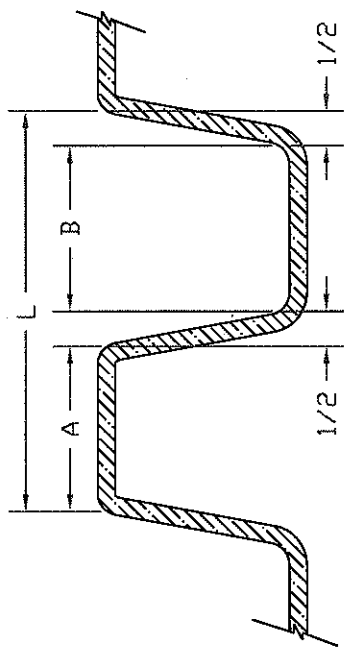
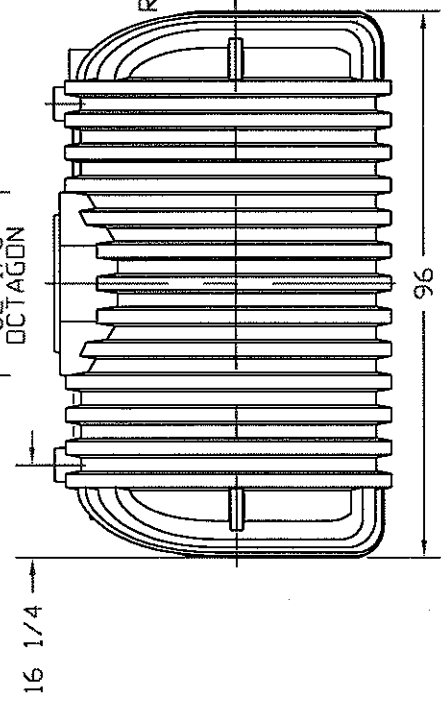
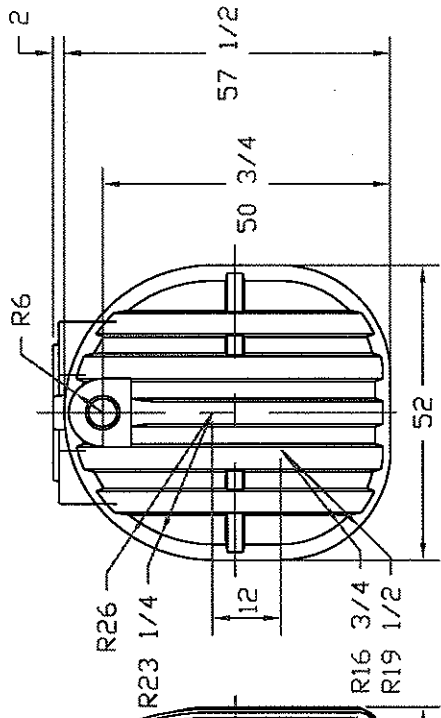
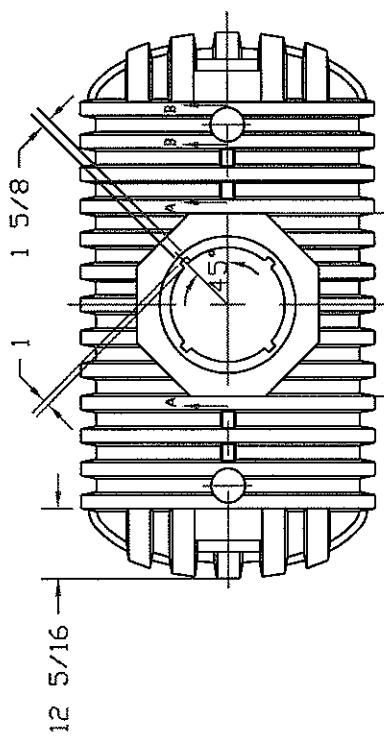


REVISIONS			
ZONE	REV	DESCRIPTION	DATE
	A	RE DRAWN	18APR96
	B	WAS 40018	10FEB03
			APPROVED



RIB DETAIL 1/2 SCALE

	A	B	L
SIDE RIBS	2-3/8	2-3/8	5-3/4
END RIBS	4	3	8



**NORWESCO**  
ST. BONIFACIUS, MN

SEPTIC TANK, 750  
GALLON, 1-MANHOLE

JTP 18APR96

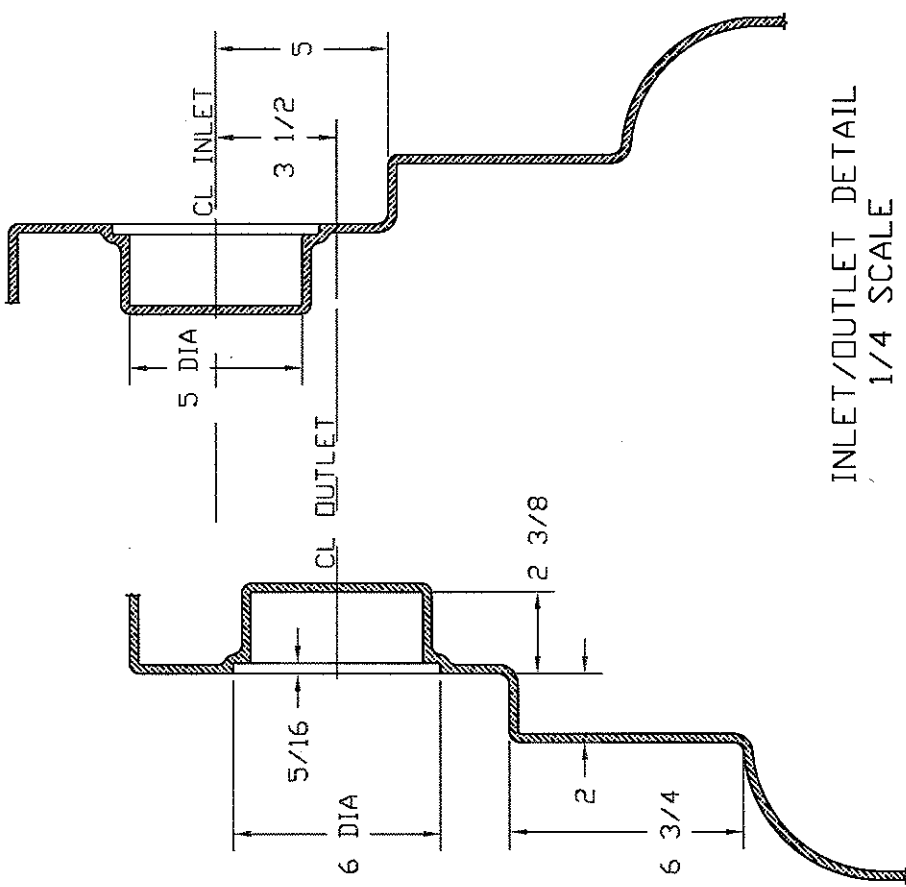
SCALE 1/24

DWG NO. 41712

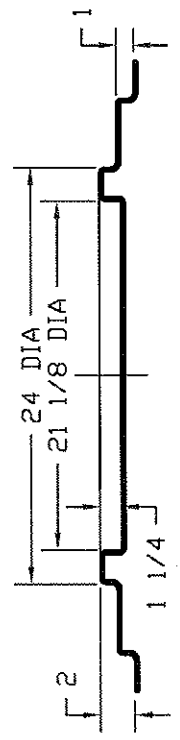
REV B

SHEET 1 OF 2

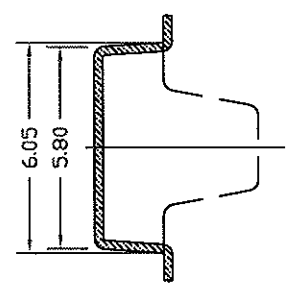
REVISIONS			
ZONE	REV	DESCRIPTION	DATE
	A	REDRAWN	18APR96
	B	WAS 40018	10FEB03



INLET/OUTLET DETAIL  
1/4 SCALE



SECTION A-A 1/8 SCALE



SECTION B-B 1/4 SCALE

**NORWESCO**  
ST. BONIFACIUS, MN

SEPTIC TANK, 750  
GALLON, 1-MANHOLE

JTP 18APR96	SIZE FSCM NO.	DWG NO.	REV
	B	41712	B
	SCALE 1/24		SHEET 2 OF 2

AVAILABLE FROM MN & OH