

REVISIONS

| ZONE | REV | DESCRIPTION | DATE | APPROVED |
|------|-----|--------------------|---------|----------|
| | A | REDRN W/ PVC ADPTR | 18JUL03 | |

SEPTIC TANK LID
P/N 62408

<4> SCREWS
P/N 62406

FOAM GASKET
P/N 62942

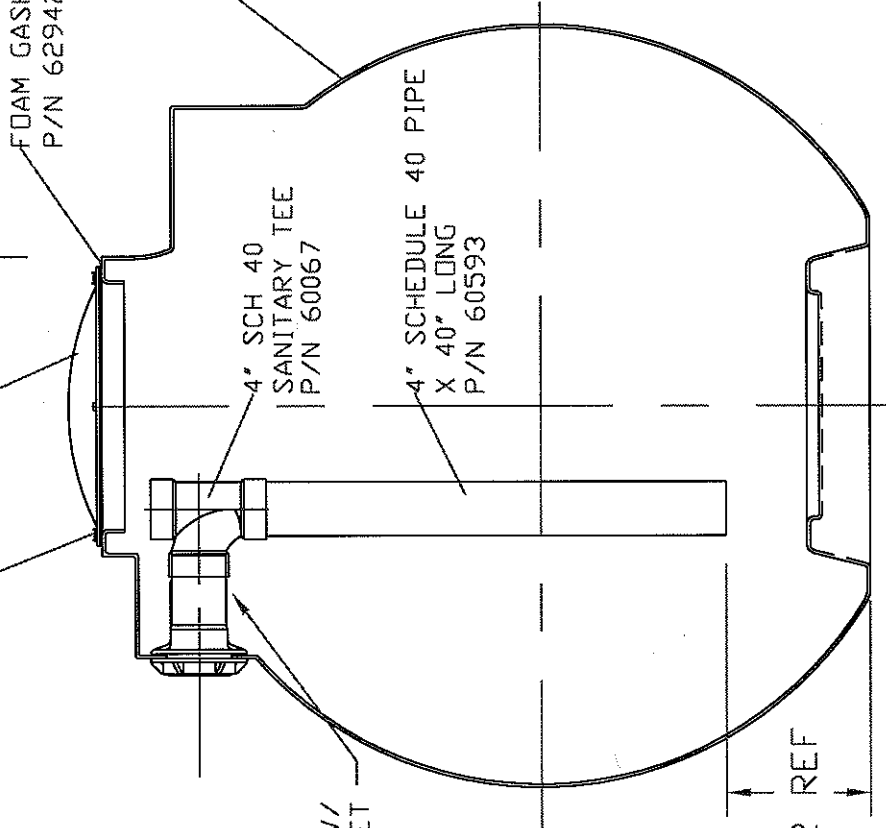
500 GALLON SPHERICAL
SEPTIC TANK
P/N 40785

4" SCH 40
SANITARY TEE
P/N 60067

4" SCHEDULE 40 PIPE
X 40" LONG
P/N 60593

PVC ADAPTER W/
NUT & GASKET

12 REF



NORWESCO

ST. BONIFACIUS, MN

500 GALLON SPHERICAL
DOSING TANK, OREGON

SIZE FSCM NO.

A

DWG NO.

41409

REV

JTP 18JUL03

SCALE 1/16

SHEET

| REVISIONS | | | |
|-----------|-----|-------------|------|
| ZONE | REV | DESCRIPTION | DATE |
| | | | |
| | | | |

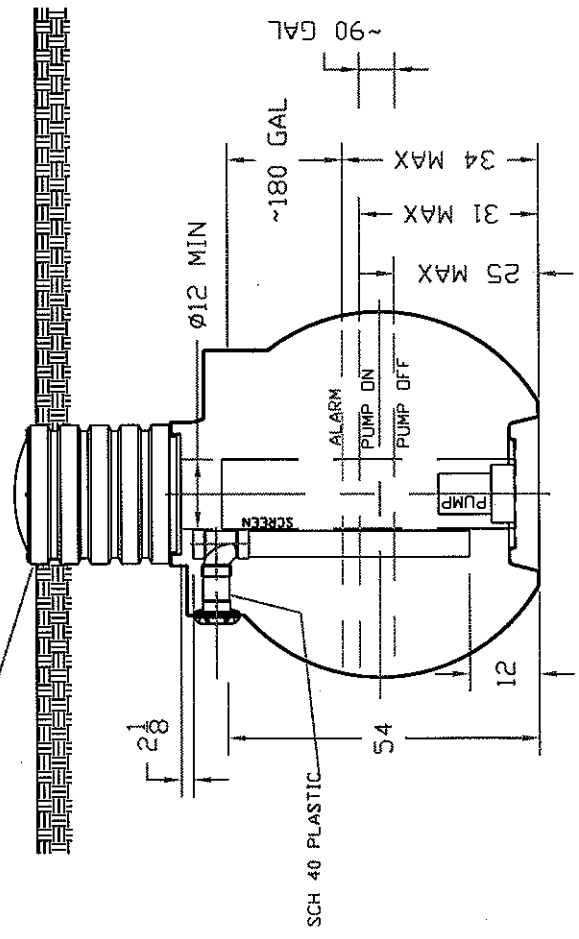
NOTES:

1. THIS TANK SHALL NOT BE INSTALLED WHERE THE ORDINARY HIGH WATER TABLE IS HIGHER THAN THE TANK BOTTOM.
2. AT INSTALLATION, AFTER BACKFILLING, BLOCK BOTH THE INLET AND OUTLET, AND FILL THE TANK WITH WATER TO A LEVEL TWO INCHES ABOVE THE CONNECTION OF THE RISER TO THE TANK. THE LEAKAGE OVER A 24-HOUR PERIOD SHALL BE LESS THAN ONE GALLON.
3. THE PASS-THROUGH PIPING OF THE TANK OUTLET MUST BE WATERTIGHT. USE NORWESCO GASKETED BULKHEAD FITTINGS OR EQUIVALENT.
4. ELECTRICAL CONNECTIONS MUST BE WATERTIGHT. FOLLOW NATIONAL ELECTRIC CODE AND PUMP MANUFACTURER'S GUIDELINES. WHERE GASKETS ARE NEEDED, USE POLYETHYLENE FOAM OR NEOPRENE. IF CAULKING IS NECESSARY, USE URETHANE CAULK.

AT INSTALLATION, EXTENSIONS SHALL BE INSTALLED AT THE MANHOLE EXTENDING TO THE GROUND SURFACE OR ABOVE.

USE NORWESCO P/N 62396 (24" H), AND/OR P/N 62397 (15" H). EACH EXTENSION INCLUDES FOUR SS SCREWS, AND A GASKET (ATTACHED W/ ADHESIVE) TO PROVIDE A WATERTIGHT INSTALLATION.

THE TANK LID IS FACTORY INSTALLED WITH A GASKET AND (4) #14 X 1 1/4 SS HEX HEAD SCREWS. THE LID, GASKET, AND SCREWS CAN BE RE-LOCATED FROM THE TOP OF THE TANK TO THE TOP OF THE MANHOLE EXTENSION.



| | | | |
|-----|---------|----------|--------|
| JTP | 18JUL03 | REV | 41409I |
| | | DWG NO. | |
| | | SIZE | B |
| | | FSCM NO. | |
| | | SCALE | 1/24 |
| | | SHEET | |

NORWESCO
ST. BONIFACIUS, MN
500 GALLON SPHERICAL
DOSING TANK