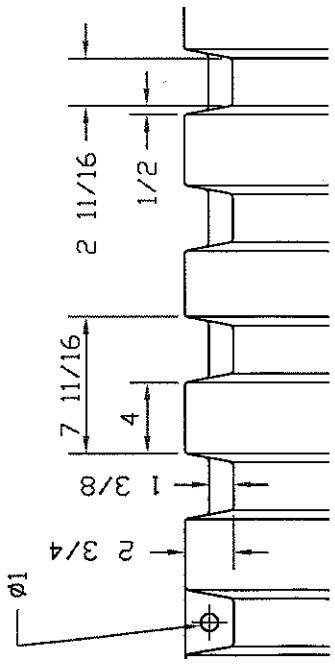
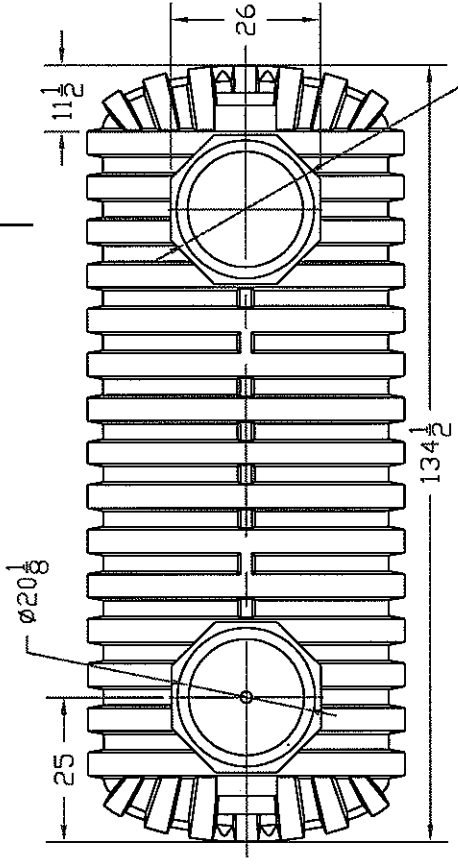


REVISIONS				
ZONE	REV	DESCRIPTION	DATE	APPROVED
	A	WAS 40278	03 JUN 02	

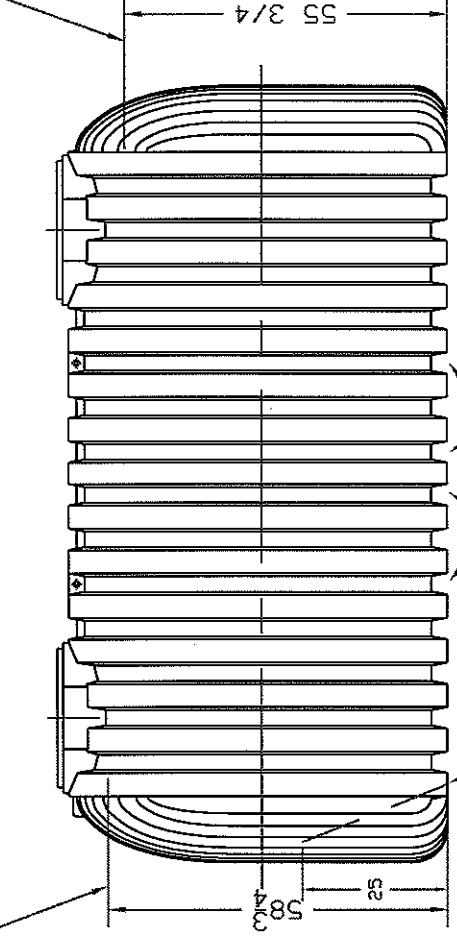


RIB DIMENSIONS
1/8 SCALE

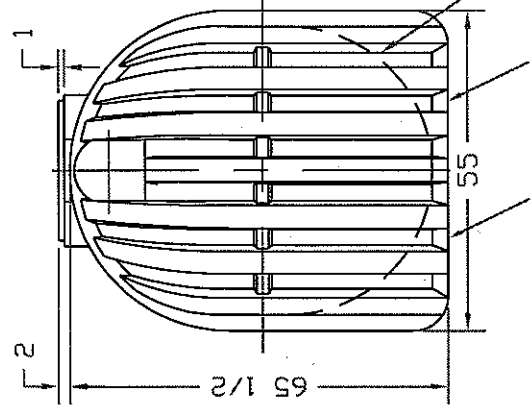


OUTLET CENTERLINE

INLET CENTERLINE



FULL CIRCLE RIBS



NORWESCO
ST. BONIFACIUS, MN
1700 GALLON BELOW
GROUND CISTERN

JTP	18MAY00	SIZE	FSCM NO.	DWG NO.	REV
		B		41330	(A)
SCALE 1/24					SHEET