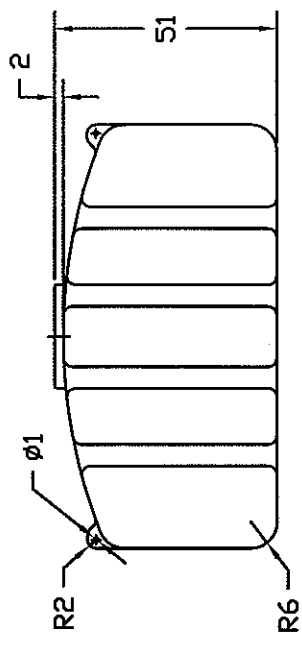
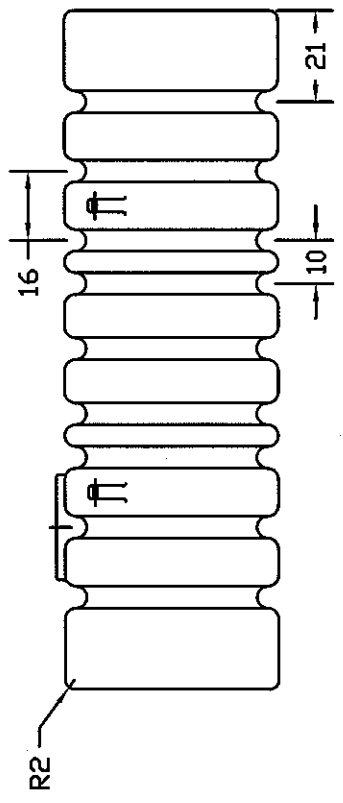
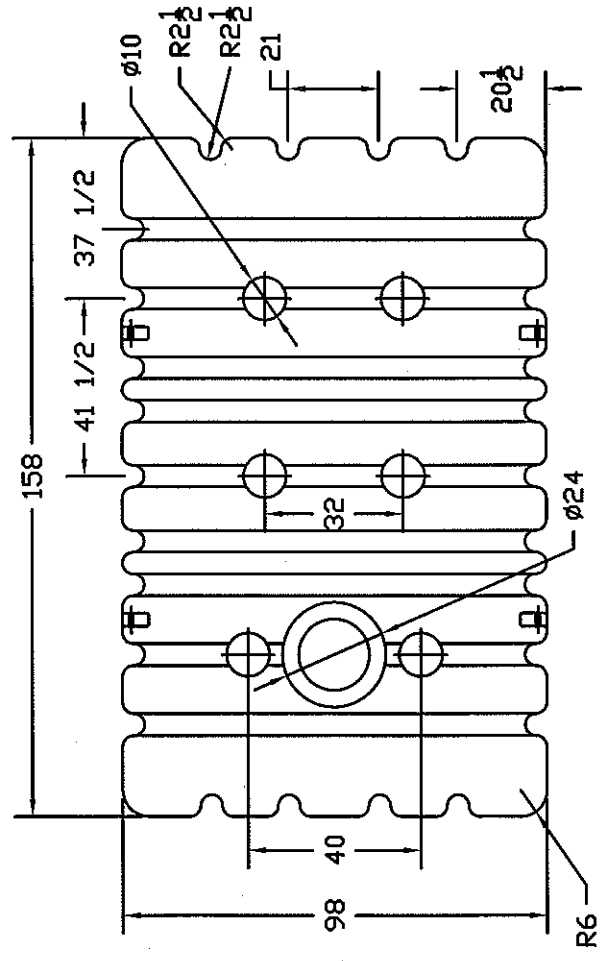


REVISIONS				
ZONE	REV	DESCRIPTION	DATE	APPROVED



NORWESCO		ST. BONIFACIUS, MN	
2500 GAL BELOW GROUND HOLDING TANK			
JTP	27JUN05	SIZE FROM NO. B	DWG NO. 42119
SCALE 1/32			SHEET